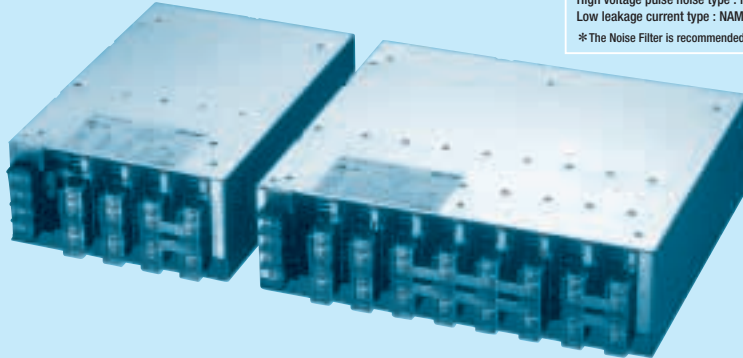
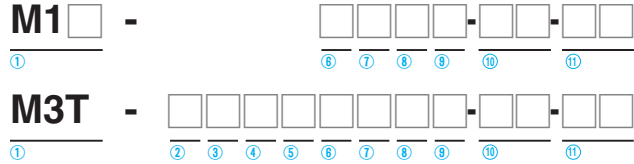


MAX series

Ordering information



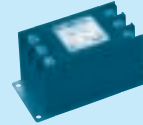
Recommended Noise Filter
MAX1600F NAC-30-472



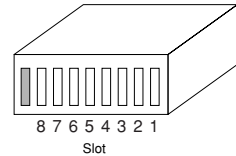
High voltage pulse noise type : NAP series
Low leakage current type : NAM series

*The Noise Filter is recommended to connect with several devices.

MAX1600T TAC-10-683
MAX3200T TAC-20-683



- ① Abbreviation type name of MAX series
M1F : MAX1600F
M1T : MAX1600T
M3T : MAX3200T
- ② Slot 8 Output module
- ③ Slot 7 Output module
- ④ Slot 6 Output module
- ⑤ Slot 5 Output module
- ⑥ Slot 4 Output module
- ⑦ Slot 3 Output module
- ⑧ Slot 2 Output module
- ⑨ Slot 1 Output module
- ⑩ Parallel code
- ⑪ Series and option code
Refer to instruction manual



* The number of slot is different depending on the model.

SPECIFICATIONS

| | MODEL | MAX1600F (M1F) | MAX1600T (M1T) | MAX3200T (M3T) | |
|------------------------------|---|--|--|------------------------------|---------|
| INPUT | VOLTAGE[V] | AC85 - 264 1 φ / DC120 - 350 | AC170 - 264 3 φ | AC170 - 264 3 φ | |
| | FREQUENCY[Hz] | 47 - 63 | 47 - 63 | 47 - 63 | |
| | CURRENT[A] | AC100V *1 | 19typ | - | - |
| | | AC200V *2 | 10typ | 6.5typ | 13typ |
| | POWER FACTOR | AC100V *1 | 0.99typ | - | - |
| | | AC200V *2 | 0.95typ | 0.95typ | 0.95typ |
| | INRUSH CURRENT [A] | AC100V | 20/40typ (Primary inrush current/Secondary inrush current) | - | - |
| | | AC200V | 40/40typ (Primary inrush current/Secondary inrush current) | 40typ | 40typ |
| | EFFICIENCY[%] | AC100V *1 | 78typ | - | - |
| | | AC200V *2 | 82typ | 85typ | 85typ |
| LEAKAGE CURRENT [mA] *3 | | 1.5max | 2max | 2max | |
| OUTPUT | NUMBER OF SLOT *4 | 4 | 4 | 8 | |
| | TOTAL MAXIMUM POWER[W] | AC90 - 150V *5 | 1500 | - | - |
| | | AC170 - 264V *5 | 1600 | 1600 | 3200 |
| | START-UP TIME [ms] | AC100V *1 | 700typ | - | - |
| | | AC200V *2 | 500typ | 500typ | 500typ |
| HOLD-UP TIME[ms] *1 | | 20typ | 20typ | 20typ | |
| FUNCTION | ALARM | FAN ALARM | FAN AND OPEN PHASE ALARM | FAN AND OPEN PHASE ALARM | |
| ISOLATION | INPUT-OUTPUT, RC | AC3,000V 1minute, Cutoff current=25mA, DC500V 50MΩ min (At Room Temperature) (Cutoff current = 100mA : MAX3200T) | | | |
| | INPUT-FG | AC2,000V 1minute, Cutoff current=25mA, DC500V 50MΩ min (At Room Temperature) | | | |
| | OUTPUT, RC-FG | AC500V 1minute, Cutoff current=100mA, DC500V 50MΩ min (At Room Temperature) | | | |
| ENVIRONMENT | OPERATING TEMP., HUMID. AND ALTITUDE *5 | -20 to +65°C, 20 - 90%RH (Non condensing) (Refer to DERATING CURVE), 3,000m (10,000feet) max | | | |
| | STORAGE TEMP., HUMID. AND ALTITUDE | -20 to +75°C, 20 - 90%RH (Non condensing) 9,000m (30,000feet) max | | | |
| | VIBRATION | 19.6m/s ² , 10 - 55Hz, 3minutes period, 60minutes each along X, Y and Z axis | | | |
| | IMPACT | 196.1m/s ² , 11ms, once each X, Y and Z axis | | | |
| SAFETY AND NOISE REGULATIONS | AGENCY APPROVALS | UL60950-1, C-UL (CSA60950-1), EN60950-1, EN50178, Complies with DEN-AN (At only AC input) | | | |
| | CONDUCTED NOISE | Complies with FCC-B, VCCI-B, CISPR22-B and EN55022-B | Complies with FCC-A, VCCI-A, CISPR22-A and EN55011-A | | |
| | HARMONIC ATTENUATOR | Complies with IEC61000-3-2 | - | - | |
| OTHERS | CASE SIZE *6 | 200 X 97 X 300mm (W X H X D) | 200 X 97 X 300mm (W X H X D) | 340 X 97 X 300mm (W X H X D) | |
| | WEIGHT | 7kg max | 7kg max | 14kg max | |
| | COOLING METHOD | Forced cooling (built-in) | | | |

*1 It is a value when M1F-HFEC-00 (MAX1600F : 5V80A, 12V34A, 15V27A, 24V17A) outputs 1500W. The value changes by composing the output modules.
*2 It is a value when M1F-HFEC-00 (MAX1600F : 5V80A, 12V34A, 15V27A, 24V17A) outputs 1600W or M1T-HFEC-00 (MAX1600T : 5V80A, 12V34A, 15V27A, 24V17A) outputs 1600W or M3T-HHFFEECC-00 (MAX3200T : 5V80A X2, 12V34A X2, 15V27A X2, 24V17A X2) outputs 3200W. The value changes by composing the output modules.

*3 Complies with IEC60950 at AC240V 60Hz.
*4 Each output module is insulated.
*5 Refer to derating.
*6 Case size contains neither the terminal blocks (cover) nor the screw.

Output module specifications

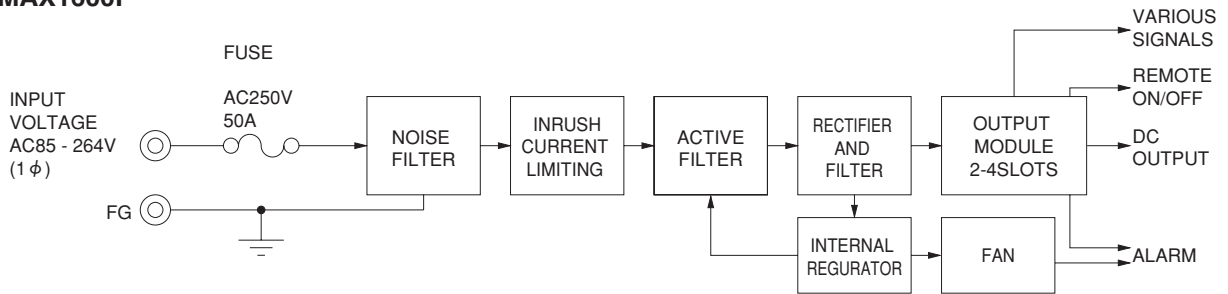
| ITEM | CODE | A | B | C | D | E | F | G | H | I | O |
|------------------------------------|---------------------------|---|-------------|-------------|--------------|---------------|---------------|---------------|---------------|---------------|-------------|
| Number of slots used | | 1 | 1 | 1 | 1 | 1 | 1 | 1 | 1 | 1 | 1 |
| VOLTAGE[V] | | 2 | 3.3 | 5 | 7.5 | 12 | 15 | 18 | 24 | 28 | BLANK PANEL |
| CURRENT[A] | | 80 | 80 | 80 | 54 | 34 | 27 | 22 | 17 | 14.5 | |
| LINE REGULATION[mV]max | | 20 | 20 | 20 | 30 | 48 | 60 | 72 | 96 | 112 | |
| LOAD REGULATION[mV]max | | 40 | 40 | 40 | 60 | 100 | 120 | 150 | 150 | 180 | |
| RIPPLE [mV]max | 0 to +50°C*1 | 80 | 80 | 80 | 120 | 120 | 120 | 120 | 120 | 120 | |
| | -20 to 0°C*1 | 140 | 140 | 140 | 160 | 160 | 160 | 160 | 160 | 160 | |
| RIPPLE NOISE [mV]max | 0 to +50°C*1 | 120 | 120 | 120 | 150 | 150 | 150 | 150 | 150 | 150 | |
| | -20 to 0°C*1 | 160 | 160 | 160 | 180 | 180 | 180 | 180 | 180 | 180 | |
| TEMPERATURE COEFFICIENT[mV]max | 0 to +50°C | 40 | 40 | 50 | 75 | 120 | 150 | 180 | 240 | 280 | |
| | -10 to +50°C | 60 | 60 | 75 | 120 | 180 | 225 | 270 | 360 | 420 | |
| DRIFT[mV]max | *2 | 12 | 12 | 20 | 30 | 48 | 60 | 72 | 96 | 112 | |
| OUTPUT VOLTAGE SETTING[V] | | 2.00 - 2.06 | 3.30 - 3.40 | 5.00 - 5.15 | 7.50 - 7.80 | 12.00 - 12.48 | 15.00 - 15.60 | 18.00 - 18.72 | 24.00 - 24.96 | 28.00 - 29.12 | |
| OUTPUT VOLTAGE ADJUSTMENT RANGE[V] | | 1.98 - 2.20 | 2.64 - 3.63 | 4.00 - 5.50 | 6.00 - 8.25 | 9.60 - 13.20 | 12.00 - 16.50 | 14.40 - 19.80 | 19.20 - 26.40 | 22.40 - 30.80 | |
| OVERCURRENT PROTECTION | | Works over 105% of rated current automatic recovery | | | | | | | | | |
| OVERVOLTAGE PROTECTION[V] | | 4.00 - 5.50 | 4.00 - 5.50 | 5.75 - 7.00 | 8.63 - 10.50 | 13.80 - 16.80 | 17.25 - 21.00 | 20.70 - 25.20 | 27.60 - 33.60 | 32.20 - 39.20 | |
| OUTPUT CURRENT IN PARALLEL[A] *3 | TWO MODULES IN PARALLEL | 144 | 144 | 144 | 97 | 61 | 49 | 40 | 31 | 26 | - |
| | THREE MODULES IN PARALLEL | 216 | 216 | 216 | 146 | 92 | 73 | 60 | 46 | 40 | - |
| | FOUR MODULES IN PARALLEL | 300 | 300 | 300 | 195 | 125 | 100 | 80 | 63 | 54 | - |
| | FIVE MODULES IN PARALLEL | 360 | 360 | 360 | 243 | 153 | 122 | 100 | 77 | 66 | - |
| | SIX MODULES IN PARALLEL | 444 | 444 | 444 | 292 | 196 | 149 | 120 | 92 | 80 | - |
| | SEVEN MODULES IN PARALLEL | 516 | 516 | 516 | 341 | 217 | 173 | 140 | 107 | 94 | - |
| | EIGHT MODULES IN PARALLEL | 600 | 600 | 600 | 390 | 250 | 200 | 160 | 127 | 108 | - |

MAX

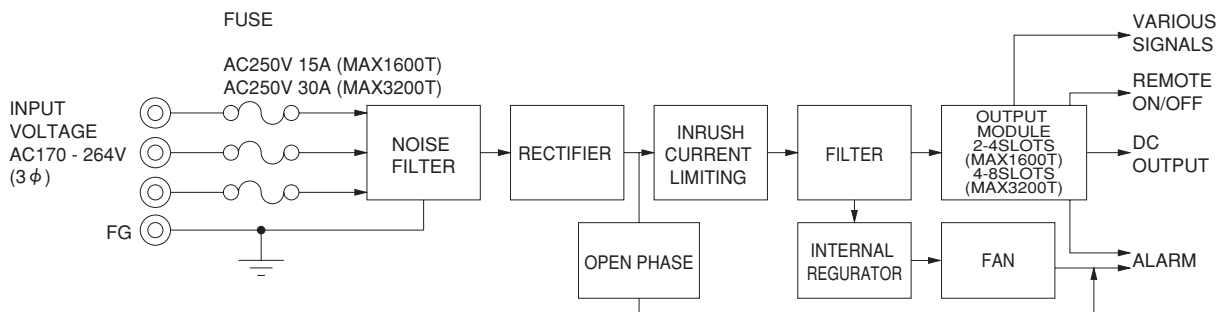
- *1 Measured by 20MHz oscilloscope or Ripple-Noise meter (Equivalent to KEISOKU-GIKEN : RM101).
Ripple and Ripple Noise is measured by using measuring board with capacitor of 470 μF between 20mm to 100mm from the output terminal.
- *2 Drift is change in DC output for an eight hour period after a half-hour warm-up at 25°C, with the input voltage held constant at the rated input/output.
- *3 Modularity in parallel are built to order and are not possible for the user to assemble them.

Block diagram

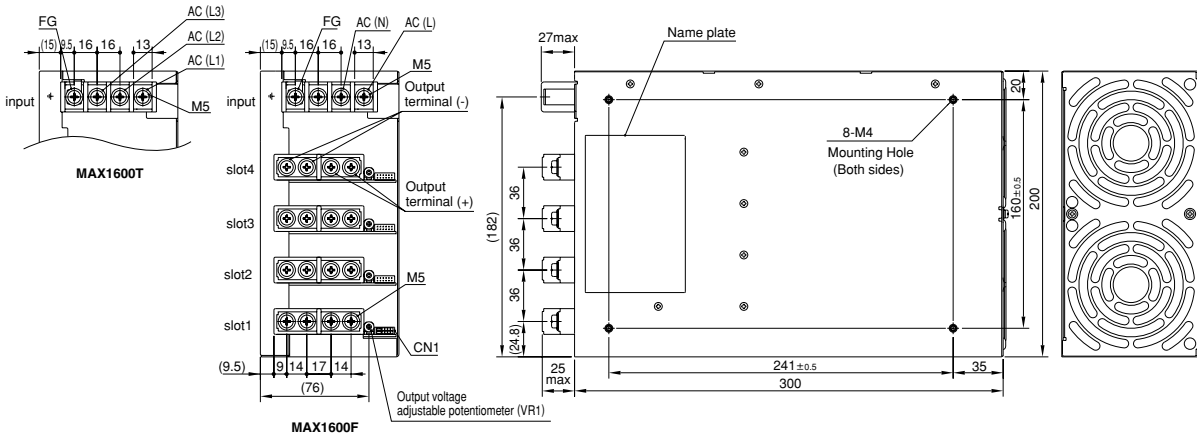
● MAX1600F



● MAX1600T / MAX3200T

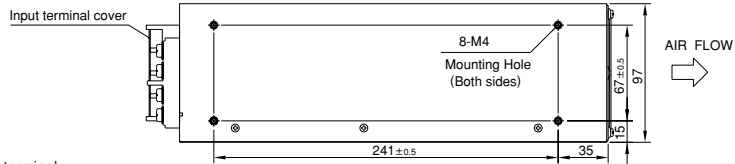


MAX1600F / MAX1600T external view



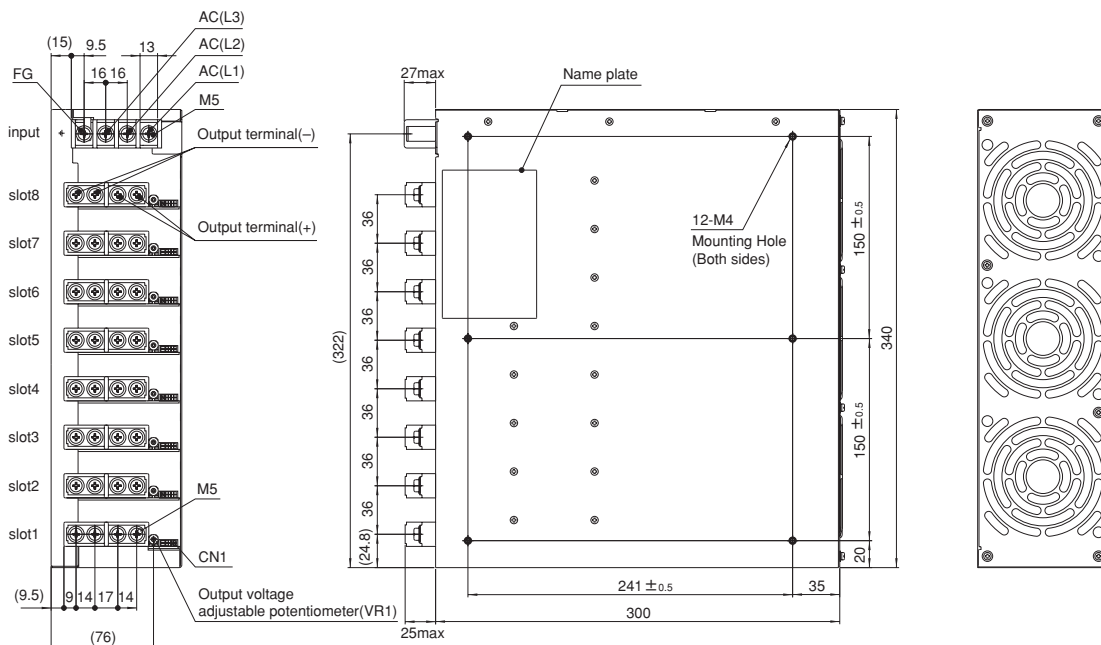
MAX

- ※ Tolerance : ± 1
- ※ Mass : 7kg or less
- ※ PCB Material/thickness : FR-4/1.6mm
- ※ Chassis material : Stainless steel SUS430
- ※ Dimensions in mm
- ※ Mounting torque : $1.5N \cdot m$ ($16kgf \cdot cm$) max
- ※ Keep drawing current per terminal below 80A of output terminal.
- ※ The housing for the remote sensing unused is mounted on CN1 of each output module.
However, when the output module is connected in parallel, the housing is mounted on only master output module.
- ※ Output terminal covers are appended.



AIR FLOW
➔

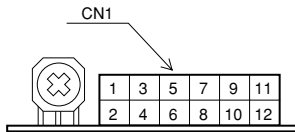
MAX3200T external view



- ※ Tolerance : ± 1
- ※ Mass : 14kg or less
- ※ PCB Material/thickness : FR-4/1.6mm
- ※ Chassis material : Stainless steel SUS430
- ※ Dimensions in mm
- ※ Mounting torque : $1.5N \cdot m$ ($16kgf \cdot cm$) max
- ※ Keep drawing current per terminal below 80A of output terminal.
- ※ The housing for the remote sensing unused is mounted on CN1 of each output module.
However, when the output module is connected in parallel, the housing is mounted on only master output module.
- ※ Output terminal covers are appended.

AIR FLOW
➔

Function connector (CN1) pinassign



Mating connector and terminal of output module CN1

| | Connector | Mating connector | Terminal | Mfr. |
|-----|------------|------------------|--|-------|
| CN1 | S12B-PHDSS | PHDR-12VS | Chain : SPHD-002T-P0.5 Loose : BPHD-001T-P0.5 : BPHD-002T-P0.5*1 | J.S.T |

*1 Ratchet Hand is nothing

Pin connection and function of output module CN1

| Pin No. | Function |
|---------|---|
| 1 | +M : +Output voltage monitoring |
| 2 | -M : -Output voltage monitoring |
| 3 | +S : +Remote sensing |
| 4 | -S : -Remote sensing, Signal ground |
| 5 | TRM : Adjustment of output Voltage |
| 6 | -S : -Remote sensing, Signal ground |
| 7 | RC2 : Remote ON/OFF |
| 8 | -S : -Remote sensing, Signal ground |
| 9 | RC3 : Remote ON/OFF |
| 10 | ALM : Fan alarm (and open phase alarm)* |
| 11 | IOG : Inverter operation monitor |
| 12 | TMP : Thermal detection signal |

*MAX1600T / MAX3200T

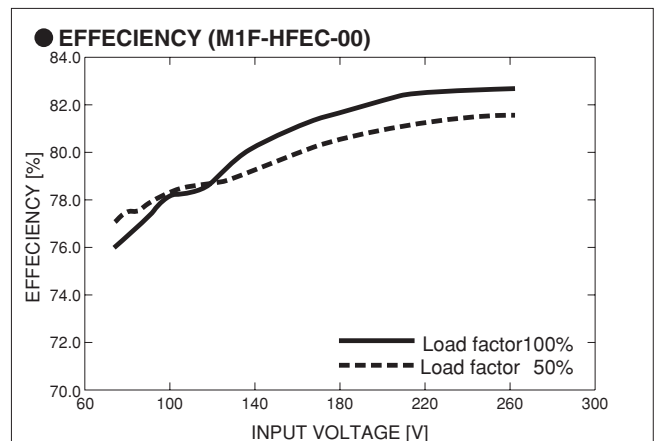
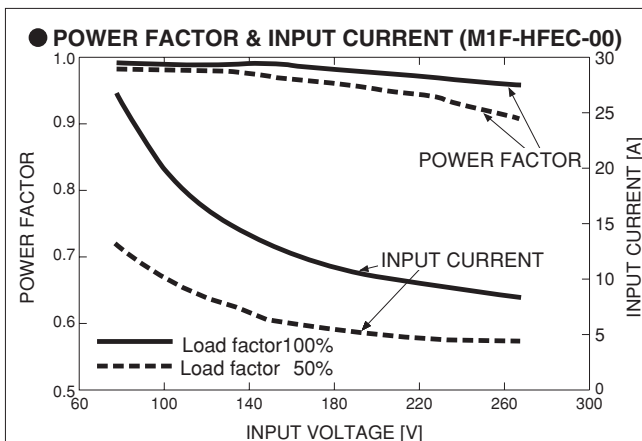
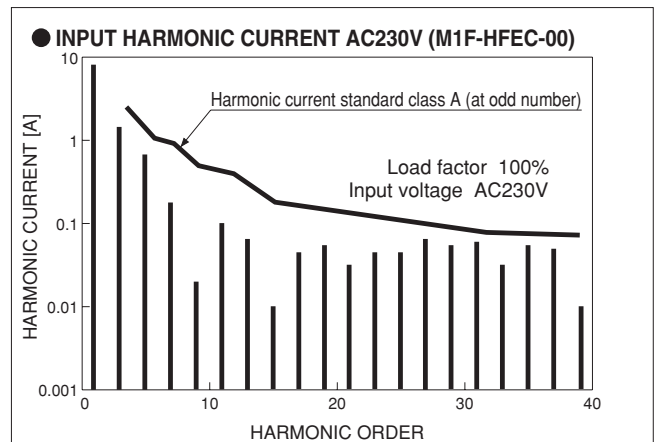
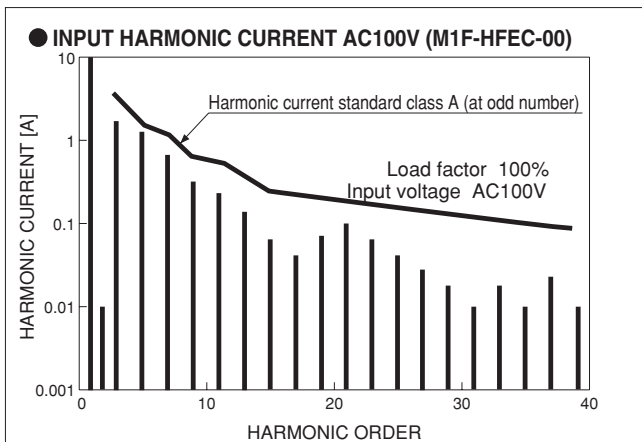
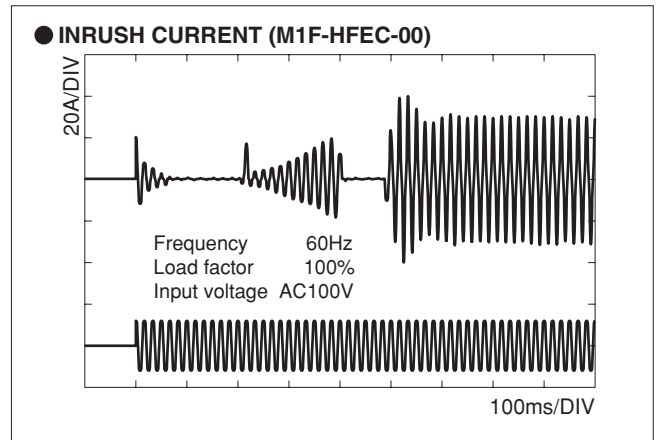
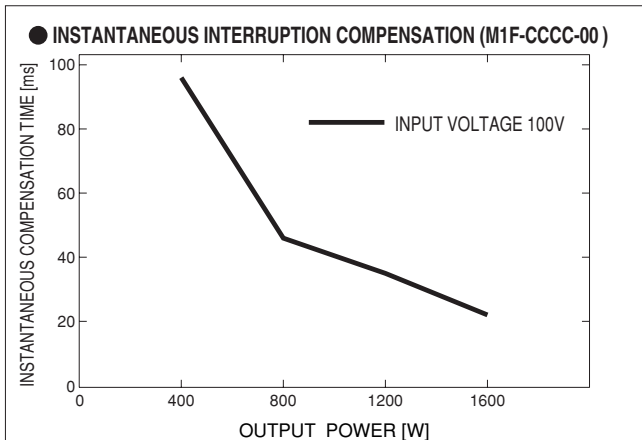
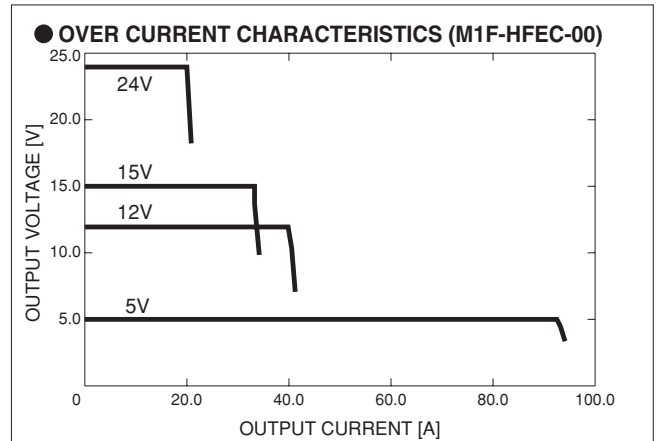
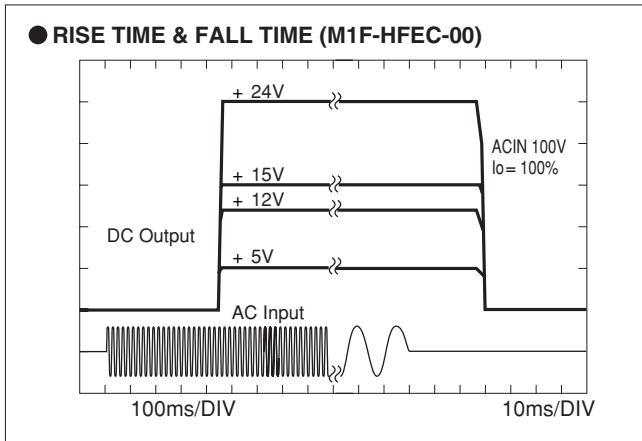
Basic Characteristics Data

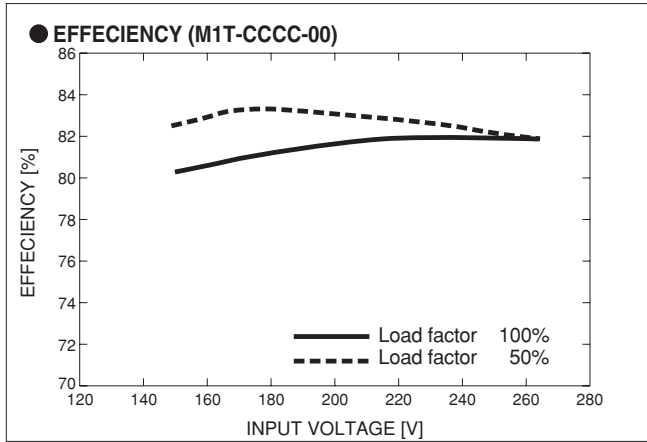
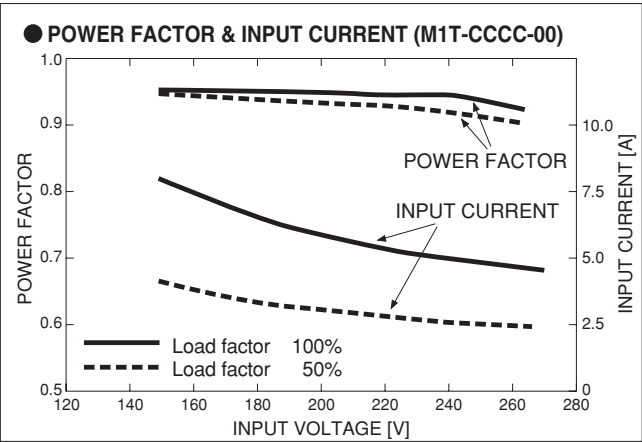
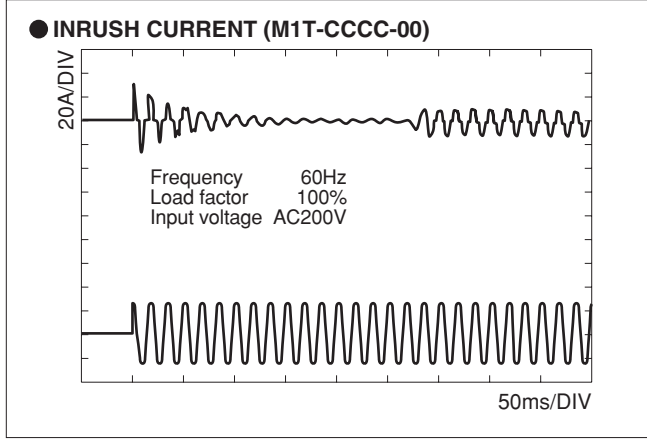
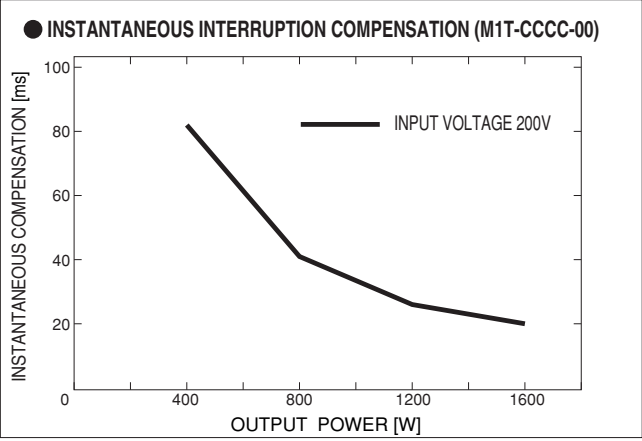
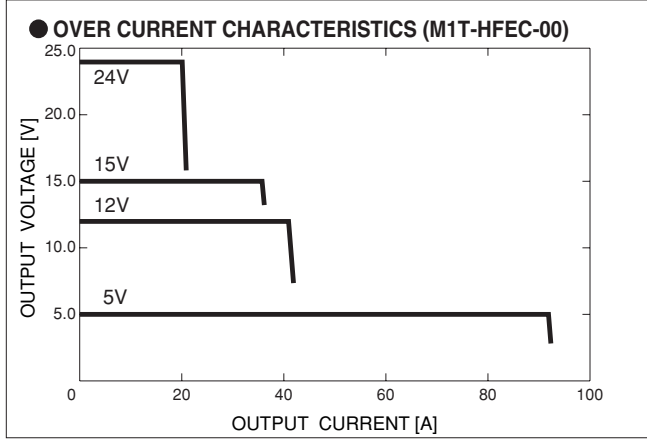
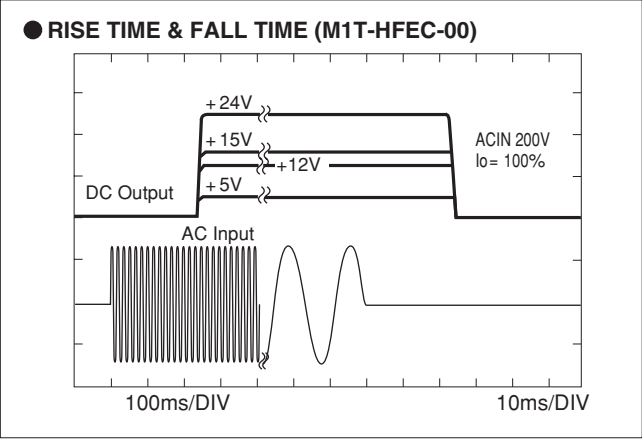
| Model | Circuit method | Switching frequency [kHz] | Input current [A] | Rated input fuse | Inrush current protection | PCB/Pattern | | | Series/Parallel operation availability | |
|--------------------------|----------------------|---------------------------|-------------------|------------------|---------------------------|-------------|--------------|--------------|--|--------------------|
| | | | | | | Material | Single sided | Double sided | Series operation | Parallel operation |
| Input module of MAX1600F | Active filter | 65 | 19 *1 | 250V 50A | SCR | FR-4 | | Yes | - | - |
| Input module of MAX1600T | Rectifier and filter | - | 6.5 *2 | 250V 15A | SCR | FR-4 | | Yes | - | - |
| Input module of MAX3200T | Rectifier and filter | - | 13 *3 | 250V 30A | SCR | FR-4 | | Yes | - | - |
| Output module | Forward converter | 370 | - | - | - | FR-4 | | Yes | Yes | Yes |

*1 Input current is based on Modul M1F-HFEC-00 (MAX1600F : 5V80A, 12V34A, 15V27A, 24V17A) outputs 1500W at AC100V.

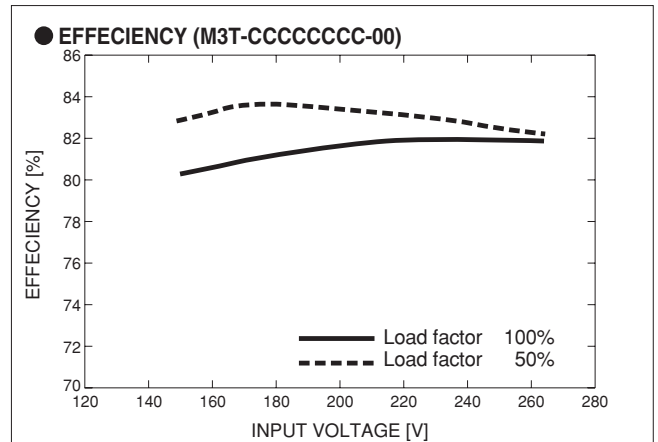
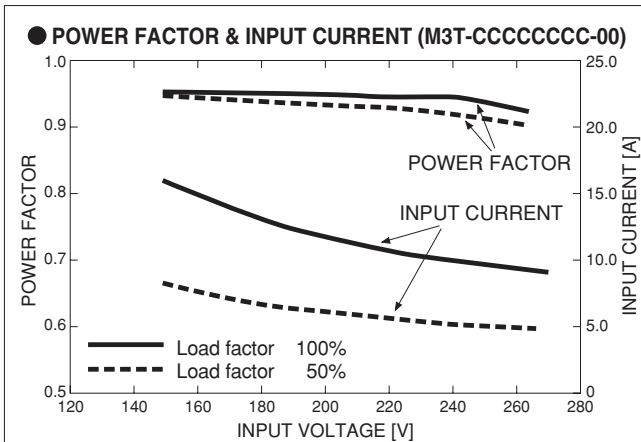
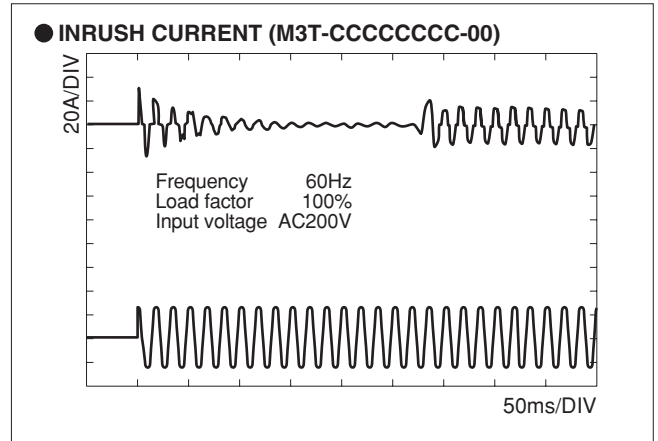
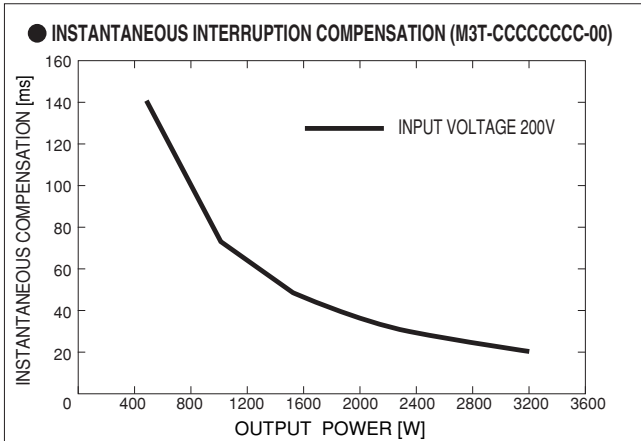
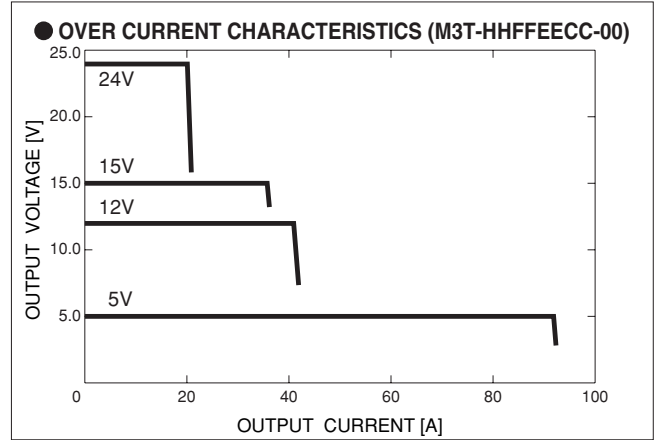
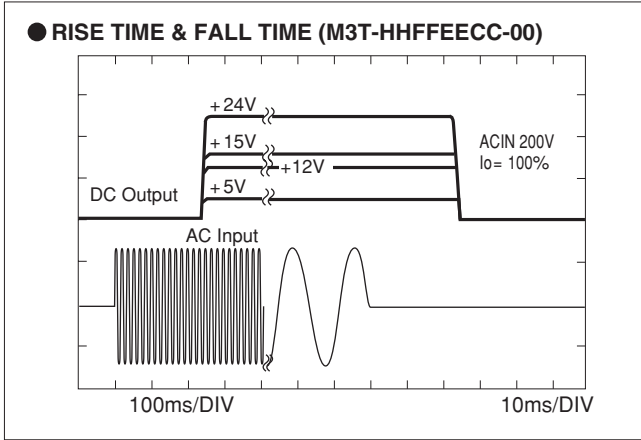
*2 M1T-HFEC-00 (MAX1600T : 5V80A, 12V34A, 15V27A, 24V17A) outputs 1600W at AC200V.

*3 M3T-HHFFEECC-00 (MAX3200T : 5V80A × 2, 12V34A × 2, 15V27A × 2, 24V17A × 2) outputs 3200W at AC200V.
The value changes by composing the output modules.





MAX



MAX

| | | |
|----------|---|-------------|
| 1 | Ordering information | C-38 |
| 2 | Function | C-39 |
| 2.1 | Input voltage range | C-39 |
| 2.2 | Inrush current limiting | C-39 |
| 2.3 | Overcurrent protection | C-39 |
| 2.4 | Overvoltage protection | C-39 |
| 2.5 | Thermal protection | C-39 |
| 2.6 | External output voltage adjustment | C-40 |
| 2.7 | Remote ON/OFF | C-40 |
| 2.8 | Remote sensing | C-40 |
| 2.9 | Isolation | C-41 |
| 2.10 | Alarm | C-41 |
| 3 | Series operation and Parallel operation | C-41 |
| 3.1 | Series operation | C-41 |
| 3.2 | Parallel operation/Master-slave operation | C-42 |
| 4 | Assembling and installation method | C-42 |
| 4.1 | Installation method | C-42 |
| 4.2 | Derating | C-43 |

1 Ordering information

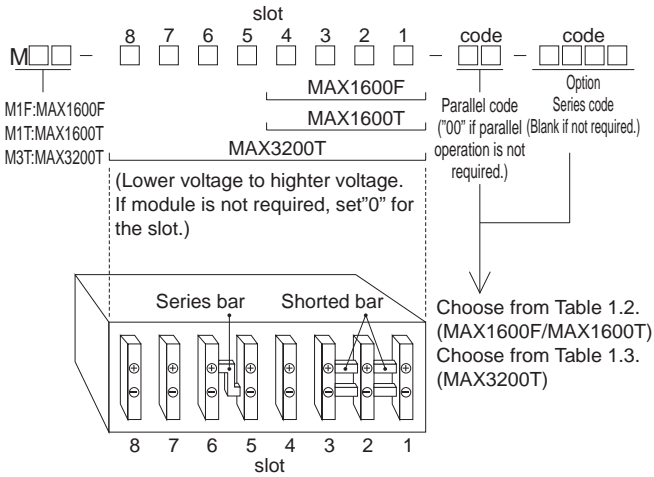


Table 1.1 Output module code

| Code | A | B | C | D | E | F | G | H | I | O |
|--------------------|-----|-----|-----|-----|-----|-----|-----|-----|------|-------------|
| Output voltage [V] | 2 | 3.3 | 5 | 7.5 | 12 | 15 | 18 | 24 | 28 | Blank panel |
| Output current [A] | 80 | 80 | 80 | 54 | 34 | 27 | 22 | 17 | 14.5 | |
| Output power [W] | 160 | 264 | 400 | 405 | 408 | 405 | 396 | 408 | 406 | |

Table 1.2 Parallel / Series code

| Code | slot4 | slot3 | slot2 | slot1 |
|------|-------|-------|-------|-------|
| 00 | ● | ● | ● | ● |
| 01 | ● | ● | — | ● |
| 02 | ● | — | ● | ● |
| 03 | ● | — | — | ● |
| 04 | — | ● | ● | ● |
| 05 | — | — | — | ● |
| 06 | — | — | — | — |
| 07 | — | — | — | — |

● : Output terminal
— : Connection

Table 1.3 Parallel / Series code

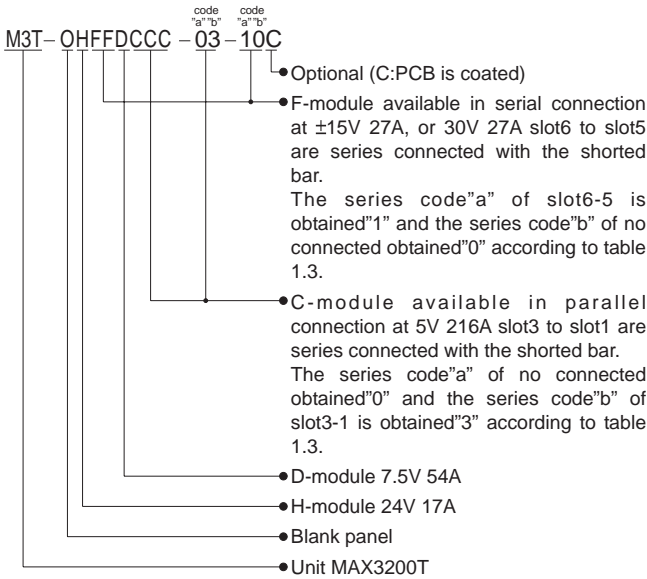
| Code"a" | slot8 | slot7 | slot6 | slot5 | slot4 | slot3 | slot2 | slot1 | Code"b" |
|---------|-------|-------|-------|-------|-------|-------|-------|-------|---------|
| 0 | ● | ● | ● | ● | ● | ● | ● | ● | 0 |
| 1 | ● | ● | — | ● | ● | ● | — | ● | 1 |
| 2 | ● | — | ● | ● | ● | — | ● | ● | 2 |
| 3 | ● | — | — | ● | ● | — | — | ● | 3 |
| 4 | — | ● | ● | ● | — | ● | ● | ● | 4 |
| 5 | — | — | ● | ● | — | — | — | ● | 5 |
| 6 | — | — | — | ● | — | — | — | — | 6 |
| 7 | — | — | — | — | ● | — | — | — | 7 |
| | — | — | — | — | — | ● | — | — | 8 |
| | — | — | — | — | — | — | ● | — | 9 |
| | — | — | — | — | — | — | — | ● | A |
| | — | — | — | — | — | — | — | — | B |
| | — | — | — | — | — | — | — | — | C |
| | — | — | — | — | — | — | — | — | D |
| | — | — | — | — | — | — | — | — | E |
| | — | — | — | — | — | — | — | — | F |

● : Output terminal
— : Connection

● Configuration rules

- After the output voltage and the output current are confirmed, the code of the output module installed in the slot1-8 is selected from Table 1.1.
Put the blank panel(code 0) in when modules are not installed in the slots.
- When output module is operated in parallel and series, the parallel code can be selected from Table 1.2 and Table 1.3 depending on whether or not the bus bar between the output modules exists.
- Do not put the blank panel in the slot1 because fan alarm and open phase alarm* (ALM signal) is output from CN1 of the slot1.
*MAX1600T/MAX3200T
- Do not put the blank panel in between the output modules connected in parallel.
- Install more than two output modules in the slot.
(MAX1600F/MAX1600T)
Install more than four output modules in the slot. (MAX3200T)
- Modules with low output voltage should be installed out of the slot1 in order.

●Example of naming



■The total output current in parallel is shown output module specifications.

2 Function

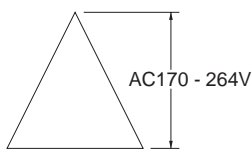
2.1 Input voltage range

●MAX1600F

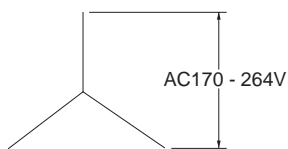
- The range is from AC85V to AC264V or from DC120V to DC350V.
- In cases that conform with safety standard, input voltage range is AC100-AC240V(50/60Hz).
- If the wrong input is applied, the unit will not operate properly and/or may be damaged. Avoid the followings to cause failure of the unit to apply square waveform input voltage, which is commonly used in UPS and inverters.

●MAX1600T/MAX3200T

- The input voltage range is AC170-264V(three-phase). Units are not influenced by the phase sequence. The voltage line of the three-phase is connected, and the earthing conductor cannot be used for the three-phase four line type.



Delta connection



Star connection

- In cases that conform with safety standard, input voltage range is AC200-AC240V(50/60Hz).

- If the wrong input or single phase input is applied, the unit will not operate properly and/or may be damaged. Avoid the followings to cause failure of the unit to apply square waveform input voltage, which is commonly used in UPS and inverters.

2.2 Inrush current limiting

- Inrush current limiting is built-in.
- If a switch on the input side is installed, it has to be the one handling the input inrush current.
- The thyristor technique is used for protection from inrush current. When power is turned ON/OFF repeatedly within a short period of time, it is necessary to have enough time between power ON and OFF to operate circuit for inrush current. When the switch of the input is turned on, the primary inrush current and secondary inrush current are generated.

MAX

2.3 Overcurrent protection

- Overcurrent protection is built-in and comes into effect at 105% of the rated current. Overcurrent protection prevents the unit from short circuit and overcurrent condition. The unit automatically recovers when the fault condition is cleared.
- If the output voltage drops more than 50% of the rated voltage in an overcurrent protection mode, the average current will also be reduced by the intermittent operation.

2.4 Overvoltage protection

- Overvoltage protection circuit is built-in and comes into effect 115 - 140% of the rated voltage(except 3.3V output voltage type : it operates at 4.0 - 5.5V). The AC input should be shut down if overvoltage protection is operation. The minimum interval of AC recycling for recovery is more than 3 minutes. The recovery time varies depending on input voltage.

2.5 Thermal protection

- Thermal protection circuit is built-in and avoid the followings to shut down at operating thermal protection.
 - When the current and the temperature which deviates from the derating characteristic are consecutive.
 - The case FAN stops or the case the wind out of FAN is interrupted and the amount of the wind decreases.
 After the input voltage is intercepted and the inside of the power supply cools enough, the return after the overheating protection operates turns on the input of the power supply again.

2.6 External output voltage adjustment

■By applying the voltage externally or connecting register externally between TRM and -S, output voltage becomes adjustable. Output level is able to be calculated by following equation① ; however, external output voltage should not be less than -0.7V and more than 2.5V.

$$\text{Output voltage} = \frac{\text{The voltage between TRM and -S}}{1 [V]} \times \text{Rated output voltage} \dots \text{①}$$

2.7 Remote ON/OFF

■Each output module has remote ON/OFF. ON/OFF of output voltage becomes available. Table 2.1 shows the specification of remote ON/OFF.

Fig.2.1 shows the way to connect remote control(Example), and followings are notes when you use the remote control.

- ①The output stops when the current is down in RC3. The current drowning RC3 is less than 12mA.
- ②Built-in fans do not stop even if the output is turned off with remote ON/OFF circuit.
- ③The IOG signal is output when the output voltage is turned off with remote ON/OFF.
- ④You should be careful of electric potential in series when you wire the remote control circuit,since it is not insulated from the output. Example of a circuit in series is shown in Fig.2.2.

■It is possible turn on and turn off by the remote control of the master module, because RC2 of the output module is connected with RC3 in the power supply in parallel operation.

However, please note that currents necessary for the control increase more than the time used with the output module unit because RC2 and RC3 of the output module are connected in parallel.

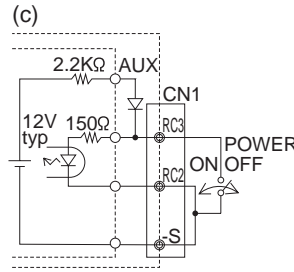
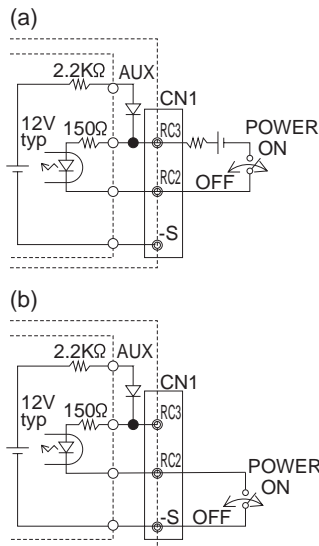


Fig.2.1 Examples of connecting remote ON/OFF of output module

Table 2.1 Specification of remote ON/OFF

| Connection method | | Fig.2.10(a) | Fig.2.10(b) | Fig.2.10(c) |
|-------------------|------------|---------------------|---------------------|---------------------|
| SW Logic | Output on | SW open (0.1mA max) | SW open (0.1mA max) | SW close (0.5V max) |
| | Output off | SW close (3mA min) | SW close (3mA min) | SW open (0.1mA max) |
| pin | | - | -S | -S |

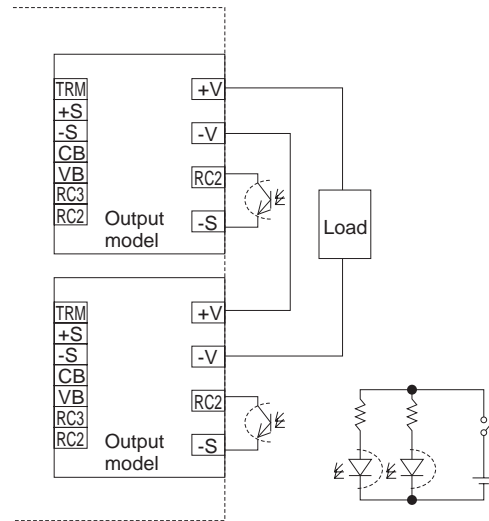


Fig.2.2 Example of remote control circuit in series operation

2.8 Remote sensing

■Remote sensing circuit is built-in each output module.

■Wiring method without using remote sensing is shown in Fig.2.3.

When you do not use the remote sensing, connect between +S and +M and between -S and -M with CN1 of each output module. When the power supply is shipped out of a factory, a special harness is mounted on CN1 of the output module.

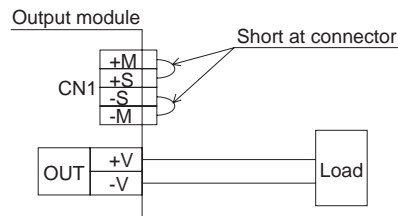


Fig.2.3 When not using remote sensing function

- Wiring method with remote sensing is shown in Fig.2.4.
- Notes, when you use the remote sensing, are shown as follows.
 - ① Note connecting wires enough because the load current flows to sensing line and an internal circuit of power supply is damaged occasionally, when defective contact of the screw such as loosening happens in the load line.
 - ② Conform the line drop should be at 0.3V or less using a thick wire from the power supply to the load.
 - ③ When remote sensing function is used, output voltage might become unstable because of a impedance of wiring and load condition. And the power supply should be evaluated enough. Following are examples to improve it.
 - -S sensing wire is removed and terminals between -M and -S are shorted.
 - C₀ and R1 are connected as above figure.

Please ask details to us.

- When using remote sensing in parallel, you use remote sensing out of a module that should be a master module and other output module in parallel should be open between ±S and ±M.
- Do not take out the output current of ±M at CN1.

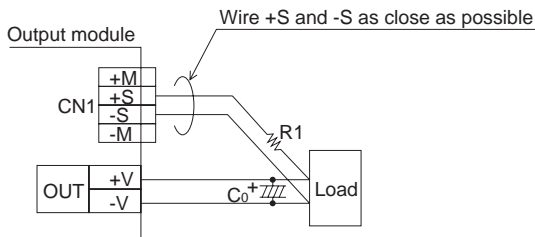


Fig.2.4 When using remote sensing function

2.9 Isolation

- For a receiving inspection, such as Hi-Pot test, gradually increase (decrease) the voltage for start(shut down). Avoid using Hi-Pot tester with the timer because it may generate voltage a few times higher than the applied voltage, at ON/OFF of a timer.

If the unit is tested on the isolation between input & output and output & FG must be shorted all output.

2.10 Alarm

- Table 2.2 shows the alarm function built-in the power supply.

Table 2.2 Explanation of alarms

| Alarm | | Output of alarm |
|-------|--|---|
| ALM | When the fan stops or the power supply breaks down (or one of three phase is open)*, the alarm from CN1 of the output module of slot1. | Open collector method Good : Low(0.5Vmax at 5mA) Bad : High or open 35V 10mA max |
| TMP | When the thermal protection circuit of the output module operates immediately or before, the alarm outputs. | Good : High(5V typ) Bad : Low(0.5Vmax at 5mA) 35V 10mA max |
| IOG | When the switching operation in the output module stops. | Good : Low(0.5Vmax at 5mA) Bad : High(5V typ) 35V 10mA max |

* MAX1600T / MAX3200T

- Notes, you should be careful of electric potential in series when you wire the alarm circuit, since it is not isolated from the output.

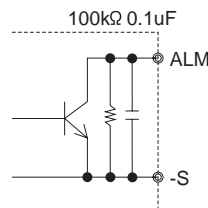


Fig.2.5 Internal circuit of ALM

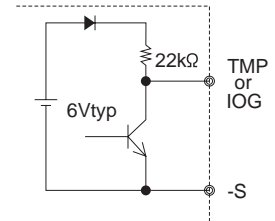


Fig.2.6 Internal circuit of TMP and IOG

3 Series operation and Parallel operation

3.1 Series operation

- Series operation is possible between the output modules in the same power supply as shown below. Output current in series connection should be lower than the lowest rated current in each unit.

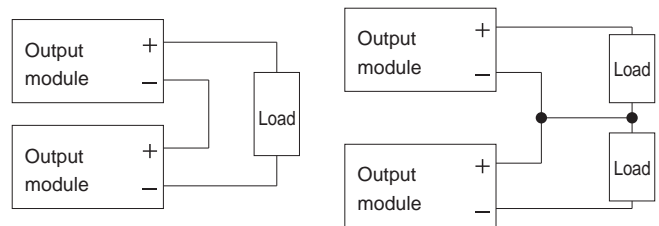


Fig.3.1 Connection method in series

- Output current in series connection is the same as the specification of the connected module.

- Please notice and set the following items.

- ① Choosing same modules in series setting in principle.
- ② The rating voltage of the total in series setting can set less than 48V.
- ③ It is impossible to use series setting with parallel setting.

Please consult us excluding the above-mentioned.

3.2 Parallel operation/Master-slave operation

■Parallel operation is possible between the output modules in the same power supply.(Already set up at the time of shipping out. Impossible for user to set up.)

The output terminal of the module(set up for parallel operation) should be connected with a shorted bar.

Do not apply input voltage after you remove the shorted bar because it can be damaged. The connection in parallel is shown in Fig.3.2.

■Notes of parallel operation are shown as follows.

①At 10% load factor or less

- IOG may turn to be "H"
- Output voltage may slightly rise, max.5%.

②AC IN & Remote ON

- IOG signal becomes irregular for 1 second when input voltage is applied or remote ON/OFF is turned ON.

■Method to set up output voltage when output module is connected in parallel.

You need to decide an output module out of modules for parallel operation and turn the volume of other output modules fully right.

You need to turn the volume in the master module and set up the output voltage. When the unit is shipped from the factory, we establish the output voltage as a master power supply whose slot number is smallest.

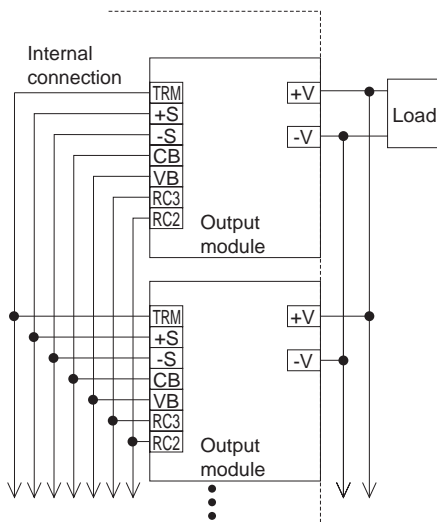


Fig.3.2 Connection method in parallel

■In series and parallel operation, output voltage increases like stairs due to a delay of the rise time output voltage at turn on.

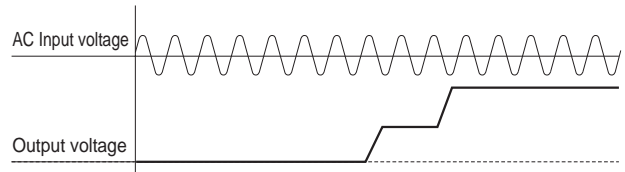


Fig.3.3 Start-up waveform in series and/or parallel operation

4 Assembling and installation method

4.1 Installation method

■Fans for forced cooling are built-in.

Do not block the ventilation at suction side(terminal block side) and its opposite side.

■Regular exchange is necessary for the fan, because the life expectancy(R(t)=90%) of the fan depending on the use condition is shown in Fig.4.1.

Install the air filter so that the effect of cooling by the fan does not decrease when the power supply is used in a dusty place.

Fan unit for maintenance can be ordered.Refer to optional parts.

■Fix firmly, considering weight, though it can be used by the installation method shown in Fig.4.2B and C.

The screw should be inserted up to 8mm max from outside of the power supply to keep a distance between inside parts and an isolation.

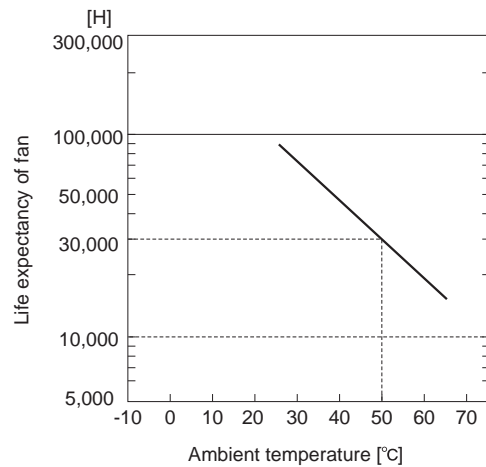


Fig.4.1 Life expectancy of fan(R(t)=90%)

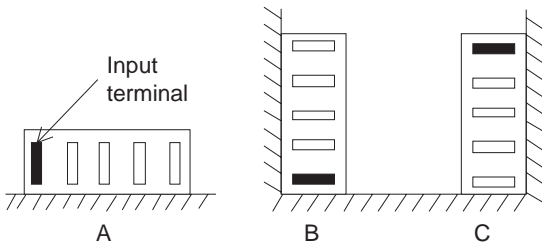


Fig.4.2 Installation method

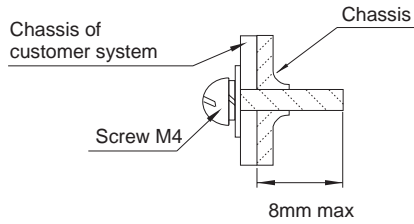


Fig.4.3 Mounting screw

4.2 Derating

●MAX1600F

- Derating curve of output module depending on ambient temperature and derating curve depending on input voltage are shown in Fig.4.4 and Fig.4.5.
- In the hatched area, the specifications of Ripple and Ripple Noise are different from other, refer to specifications of output module.

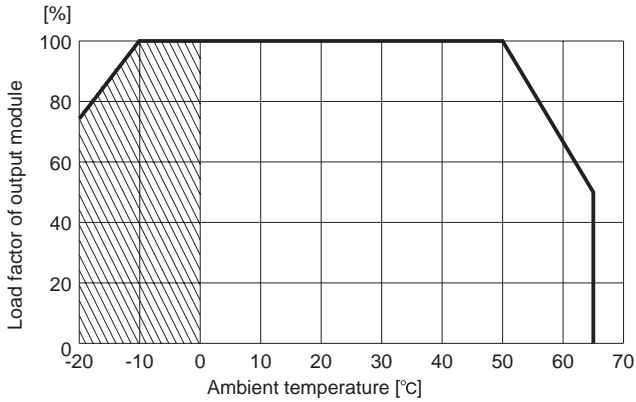


Fig.4.4 Derating curve of output module depend on ambient temperature

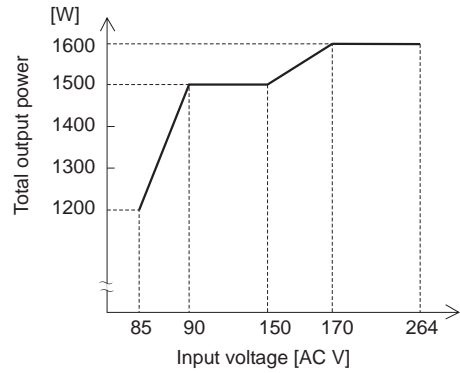


Fig.4.5 Derating curve depend on input voltage

●MAX1600T/MAX3200T

- Derating curve of output module depending on ambient temperature is shown in Fig.4.6.
- In the hatched area, the specifications of Ripple and Ripple Noise are different from other, refer to specifications of output module.

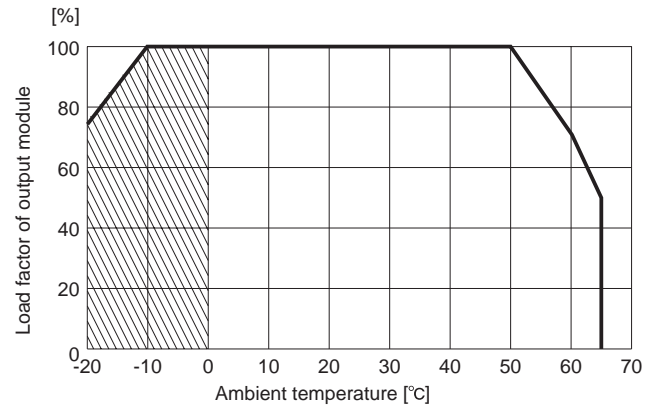


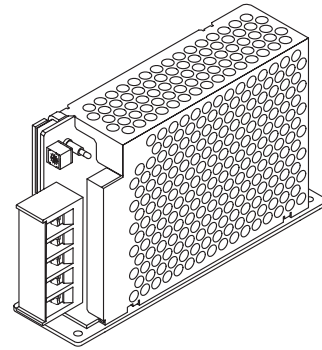
Fig.4.6 Derating curve of output module depend on ambient temperature

■ PB Series Attachment

BASE Attachment

| Plate model | Applicable to model |
|-------------|---------------------|
| F-PBA10-1 | PBA10F |
| F-PBA15-1 | PBA15F, PBW15F |
| F-PBA30-1 | PBA30F, PBW30F |
| F-PBA50-1 | PBA50F, PBW50F |
| F-PBA75-1 | PBA75F |
| F-PBA100-1 | PBA100F |
| F-PBA150-1 | PBA150F |

Example



< TOP VIEW > (Unit : mm) (Tolerance : ±1)

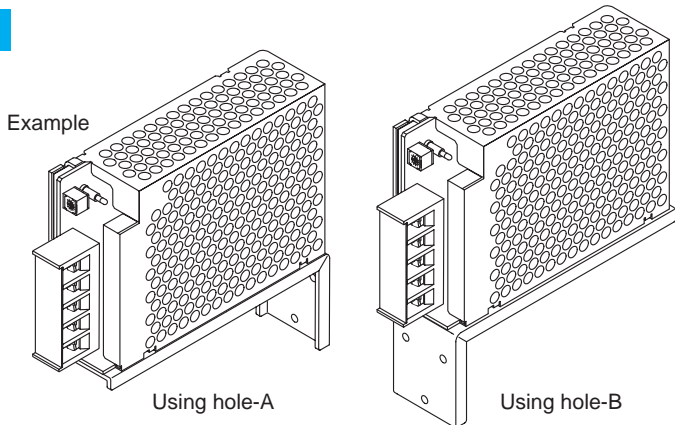
| | |
|--|--|
| <p>F-PBA10-1</p> <p>Size</p> <p>★ Material : SECC ★ Thickness : 2.0</p> | <p>F-PBA15-1</p> <p>Size</p> <p>★ Material : SECC ★ Thickness : 2.0</p> |
| <p>★ M3 × 6ℓ Flat screw is requested when mounting.</p> | |
| <p>Mounting hole size</p> <p>FRONT←</p> | <p>Mounting hole size</p> <p>FRONT←</p> |
| <p>F-PBA30-1</p> <p>Size</p> <p>★ Material : SECC ★ Thickness : 2.0</p> | <p>F-PBA50-1</p> <p>Size</p> <p>★ Material : SECC ★ Thickness : 2.0</p> |
| <p>★ M3 × 6ℓ Flat screw is requested when mounting.</p> | |
| <p>Mounting hole size</p> <p>FRONT←</p> | <p>Mounting hole size</p> <p>FRONT←</p> |

< TOP VIEW > (Unit : mm) (Tolerance : ±1)

| | |
|--|--|
| <p style="text-align: center;">F-PBA75-1</p> <p>Size</p> <p style="text-align: right;">* Material : SECC * Thickness : 2.0</p> | <p style="text-align: center;">F-PBA100-1</p> <p>Size</p> <p style="text-align: right;">* Material : SECC * Thickness : 2.0</p> |
| <p>* M3 x 6l Flat screw is requested when mounting.</p> | |
| <p>Mounting hole size</p> <p>FRONT ←</p> | <p>Mounting hole size</p> <p>FRONT ←</p> |
| <p style="text-align: center;">F-PBA150-1</p> <p>Size</p> <p style="text-align: right;">* Material : SECC * Thickness : 2.0</p> | |
| <p>* M3 x 6l Flat screw is requested when mounting.</p> | |
| <p>Mounting hole size</p> <p>FRONT ←</p> | |

FRONT • REVERSE
Attachment

| Plate model | Applicable to model |
|-------------|---------------------|
| F-PBA10-2 | PBA10F |
| F-PBA15-2 | PBA15F, PBW15F |
| F-PBA30-2 | PBA30F, PBW30F |
| F-PBA50-2 | PBA50F, PBW50F |
| F-PBA75-2 | PBA75F |
| F-PBA100-2 | PBA100F |
| F-PBA150-2 | PBA150F |



< TOP VIEW > (Unit : mm) (Tolerance : ±1)

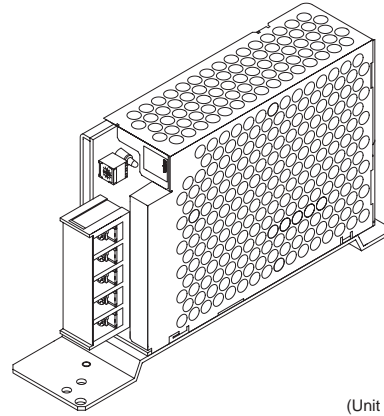
| <p style="text-align: center;">F-PBA10-2</p> <p>Size</p> <p style="text-align: right;">★ Material : SECC ★ Thickness : 1.6</p> | <p style="text-align: center;">F-PBA15-2</p> <p>Size</p> <p style="text-align: right;">★ Material : SECC ★ Thickness : 1.6</p> |
|---|---|
| <p style="text-align: center;">F-PBA30-2</p> <p>Size</p> <p style="text-align: right;">★ Material : SECC ★ Thickness : 1.6</p> | <p style="text-align: center;">F-PBA50-2</p> <p>Size</p> <p style="text-align: right;">★ Material : SECC ★ Thickness : 2.0</p> |

Attachment for Replacement

This is an attachment when replacing to PBA series from P · PAA series.

| Plate model | Applicable to model |
|-------------|-------------------------|
| F-PPBA15-1 | P15 → PBA15F |
| F-PPBA30-1 | P30 → PBA30F |
| F-PPBA50-1 | P50, PAA50F → PBA50F |
| F-PPBA75-1 | PAA75F → PBA75F |
| F-PPBA100-1 | P100, PAA100F → PBA100F |
| F-PPBA150-1 | P150, PAA150F → PBA150F |

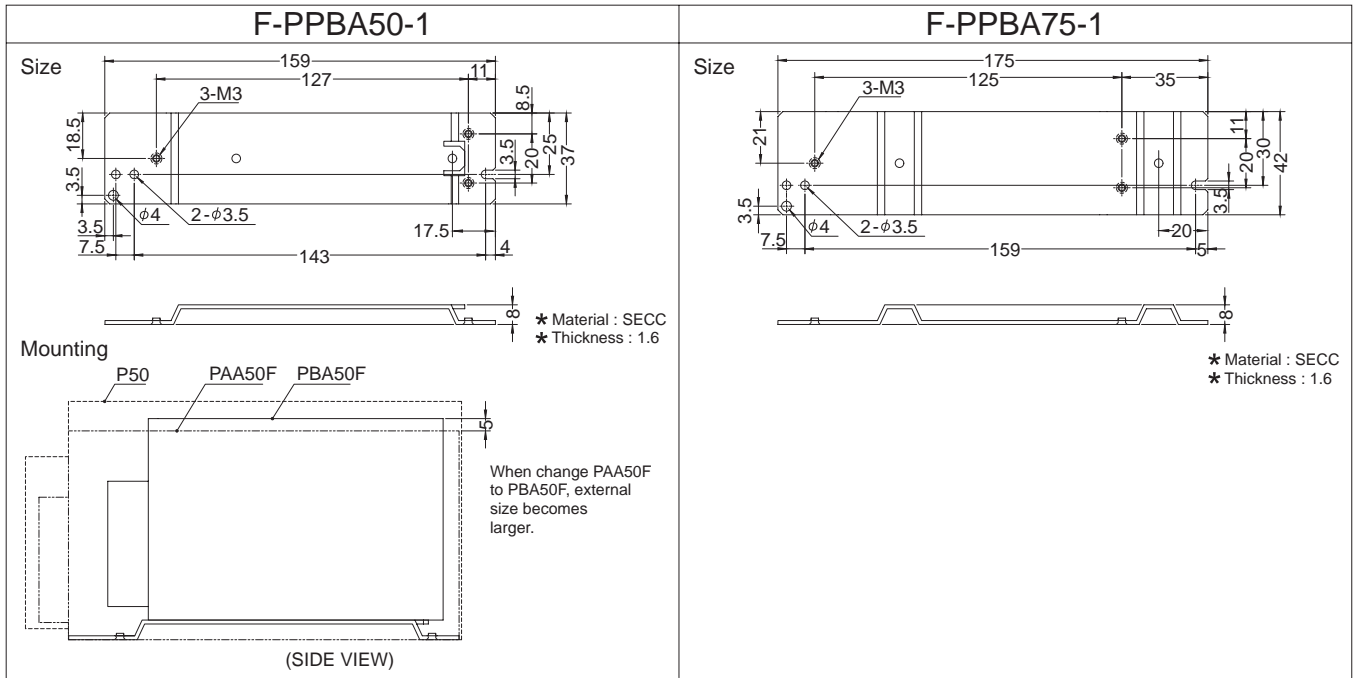
Example (PBA50F)



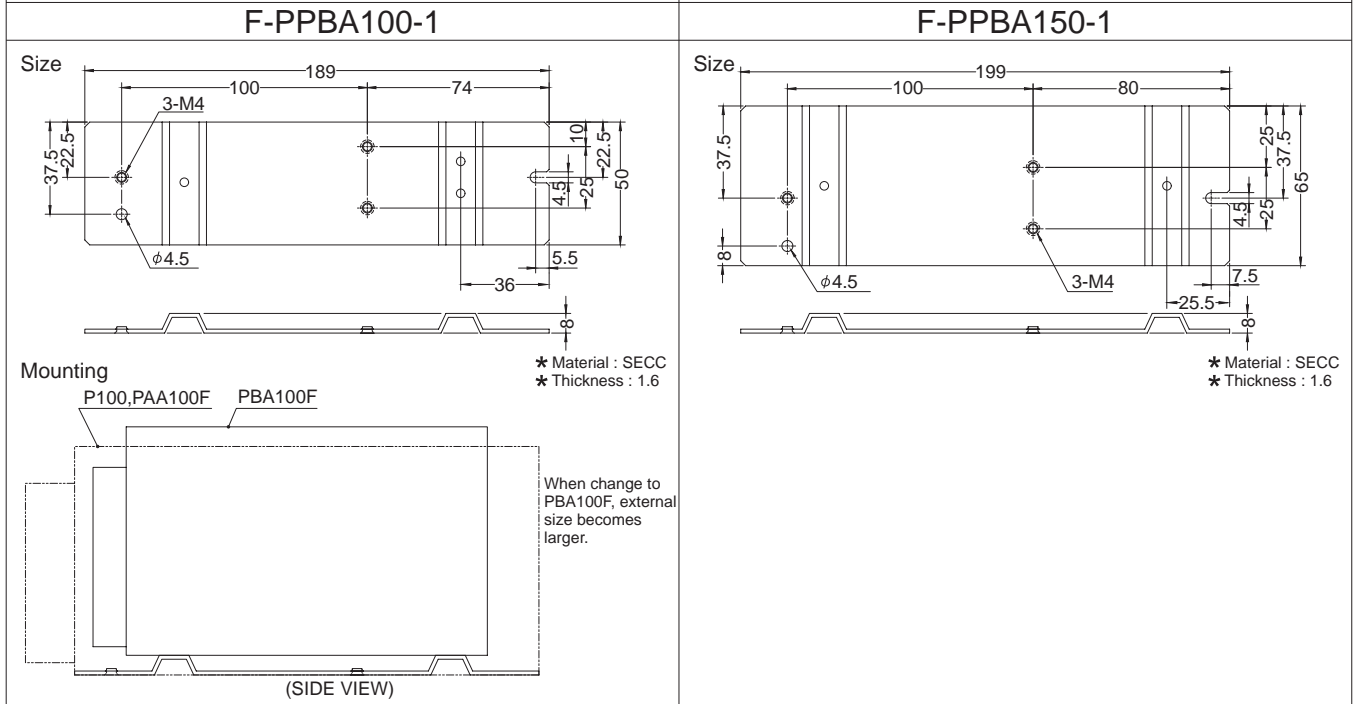
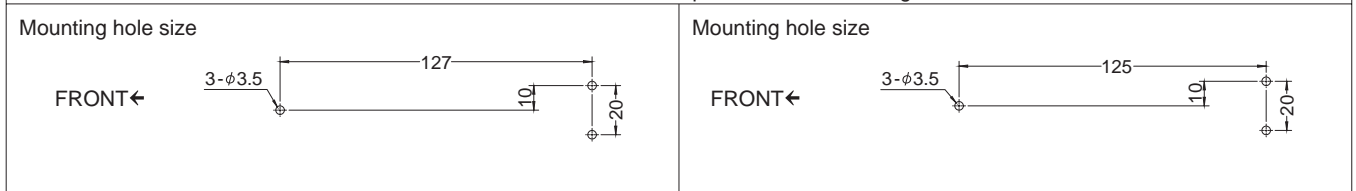
(Unit : mm) (Tolerance : ±1)

| F-PPBA15-1 | F-PPBA30-1 |
|--|--|
| <p>Size</p> <p style="text-align: right;">★ Material : SECC ★ Thickness : 1.6</p> <p>Mounting</p> <p style="text-align: center;">(BOTTOM VIEW)</p> | <p>Size</p> <p style="text-align: right;">★ Material : SECC ★ Thickness : 1.6</p> <p>Mounting</p> <p style="text-align: center;">(BOTTOM VIEW)</p> |
| <p>★ M3 × 8ℓ Flat screw is requested when mounting.</p> | |
| <p>Mounting hole size</p> <p>FRONT ←</p> | <p>Mounting hole size</p> <p>FRONT ←</p> |

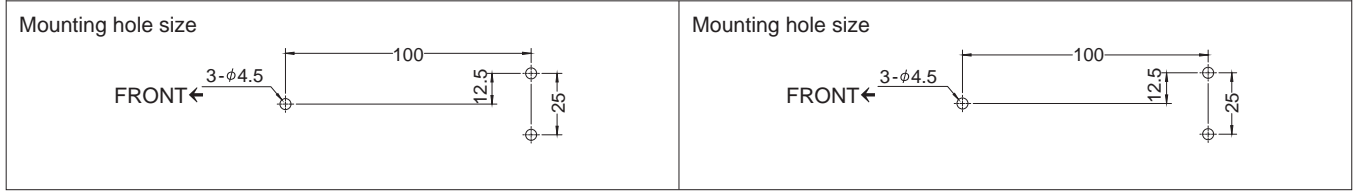
(Unit : mm) (Tolerance : ±1)



★ M3 x 8l Flat screw is requested when mounting.



★ M3 x 8l Flat screw is requested when mounting.



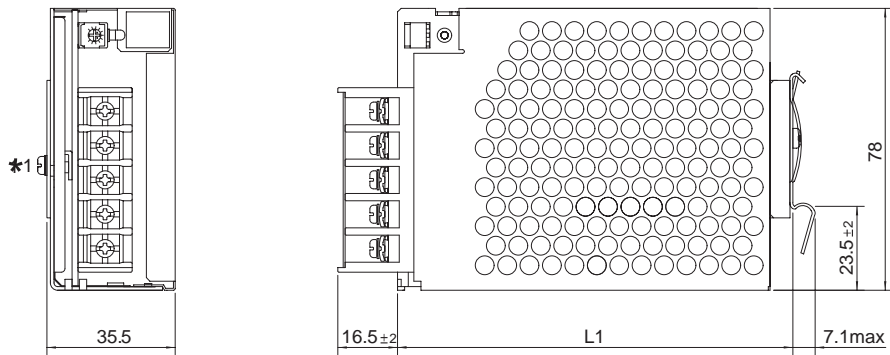
Din rail Attachment Plate(PB Series)

APPLICABLE TO MODEL

Din rail width : 35mm

| Plate model | Model |
|-------------|------------------------|
| FD-PBA10 | PBA10F |
| FD-PBA15 | PBA15F, PBW15F |
| FD-PBA30 | PBA30F, PBW30F |
| FD-PBA50 | PBA50F, PBW50F, PBA75F |
| FD-PBA100 | PBA100F, PBA150F |
| FD-PBA300 | PBA300F |

FD-PBA10, FD-PBA15, FD-PBA30 EXTERNAL VIEW



| Plate model | Model | L1 |
|-------------|----------------|---------|
| FD-PBA10 | PBA10F | 75.0±2 |
| FD-PBA15 | PBA15F, PBW15F | 92.0±2 |
| FD-PBA30 | PBA30F, PBW30F | 110.0±2 |

- * Material : SECC
- * Thickness : 1.0
- * Tolerance : ±1
- *1 Two screws of M3 are necessary for installation

Harness to use the function is prepared in PB series.

PB Series

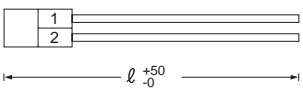
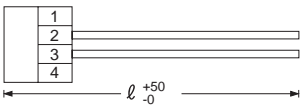
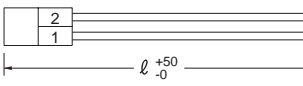
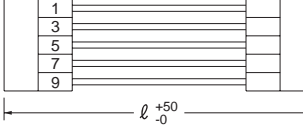
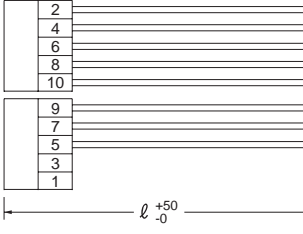
Mating harness

| Model | Harness model # | Contents |
|---|------------------|---|
| PBA10F, PBA15F, PBW15F, PBA30F, PBW30F, PBA50F, PBW50F, PBA75F, PBA100F, PBA150F ★1 | H-IN-1 or H-IN-8 | Input harness when I/O interface is connector type (option : -J) |
| PBA10F, PBA15F, PBA30F, PBA50F | H-OU-20 | Output harness when I/O interface is connector type (option : -J) |
| PBA75F, PBA100F, PBA150F ★1 | H-OU-21 | Output harness when I/O interface is connector type (option : -J) |
| PBW15F, PBW30F, PBW50F | H-OU-27 | Output harness when I/O interface is connector type (option : -J) |
| PBA50F, PBW50F, PBA75F, PBA100F, PBA150F | H-RC-1 | Harness for using option : -R |
| PBA100F, PBA150F ★2 | H-SN-1 | Harness for using option : -K |
| PBA50F, PBW50F, PBA75F, PBA100F, PBA150F | H-SN-18 | Harness for using option : -V |
| PBA300F | H-PA-3 | Harness for parallel operation |
| PBA600F | H-SN-20 | Harness for using all functions of CN1 and CN2 |
| PBA1000F | H-SN-21 | Harness for using all functions except remote sensing of CN2 |
| PBA1500F | H-SN-22 | Harness for using all functions of CN3 |
| PBA1500T | H-SN-24 | Harness for using example remote ON/OFF circuit (C) |

★1 Available for 12V, 15V, 24V, 36V and 48V output model in PBA100F / 150F.

★2 Available for 3.3V and 5V output model in PBA100F / 150F.

| <p>●Model number</p> <h3>H-IN-1</h3> <p>Housing : 10-63-3044 (Molex) Pin : 08-70-1030 or 08-70-1031 (Molex)</p> | <p>●Type</p> | <p>●Wire</p> <table border="1"> <thead> <tr> <th>Pin #</th> <th>Wire</th> <th>AWG</th> <th>Color</th> <th>Length ℓ (mm)</th> </tr> </thead> <tbody> <tr> <td>1</td> <td>UL1015</td> <td>20</td> <td>green</td> <td>500</td> </tr> <tr> <td>2</td> <td>UL1015</td> <td>20</td> <td>black</td> <td>500</td> </tr> <tr> <td>3</td> <td></td> <td></td> <td></td> <td></td> </tr> <tr> <td>4</td> <td>UL1015</td> <td>20</td> <td>white</td> <td>500</td> </tr> </tbody> </table> | Pin # | Wire | AWG | Color | Length ℓ (mm) | 1 | UL1015 | 20 | green | 500 | 2 | UL1015 | 20 | black | 500 | 3 | | | | | 4 | UL1015 | 20 | white | 500 | | | | | | | | | | |
|--|--------------|---|--------------|---------------|-----|-------|---------------|---|--------|----|--------------|-----|---|--------|----|-------|-----|---|--------|----|-------|-----|---|--------|----|--------|-----|---|--------|----|-------|-----|---|--------|----|-------|-----|
| Pin # | Wire | AWG | Color | Length ℓ (mm) | | | | | | | | | | | | | | | | | | | | | | | | | | | | | | | | | |
| 1 | UL1015 | 20 | green | 500 | | | | | | | | | | | | | | | | | | | | | | | | | | | | | | | | | |
| 2 | UL1015 | 20 | black | 500 | | | | | | | | | | | | | | | | | | | | | | | | | | | | | | | | | |
| 3 | | | | | | | | | | | | | | | | | | | | | | | | | | | | | | | | | | | | | |
| 4 | UL1015 | 20 | white | 500 | | | | | | | | | | | | | | | | | | | | | | | | | | | | | | | | | |
| <p>●Model number</p> <h3>H-IN-8</h3> <p>Housing : 10-63-3044 (Molex) Pin : 08-70-1030 or 08-70-1031 (Molex)</p> | <p>●Type</p> | <p>●Wire</p> <table border="1"> <thead> <tr> <th>Pin #</th> <th>Wire</th> <th>AWG</th> <th>Color</th> <th>Length ℓ (mm)</th> </tr> </thead> <tbody> <tr> <td>1</td> <td>UL1015</td> <td>20</td> <td>green/yellow</td> <td>500</td> </tr> <tr> <td>2</td> <td>UL1015</td> <td>20</td> <td>black</td> <td>500</td> </tr> <tr> <td>3</td> <td></td> <td></td> <td></td> <td></td> </tr> <tr> <td>4</td> <td>UL1015</td> <td>20</td> <td>white</td> <td>500</td> </tr> </tbody> </table> | Pin # | Wire | AWG | Color | Length ℓ (mm) | 1 | UL1015 | 20 | green/yellow | 500 | 2 | UL1015 | 20 | black | 500 | 3 | | | | | 4 | UL1015 | 20 | white | 500 | | | | | | | | | | |
| Pin # | Wire | AWG | Color | Length ℓ (mm) | | | | | | | | | | | | | | | | | | | | | | | | | | | | | | | | | |
| 1 | UL1015 | 20 | green/yellow | 500 | | | | | | | | | | | | | | | | | | | | | | | | | | | | | | | | | |
| 2 | UL1015 | 20 | black | 500 | | | | | | | | | | | | | | | | | | | | | | | | | | | | | | | | | |
| 3 | | | | | | | | | | | | | | | | | | | | | | | | | | | | | | | | | | | | | |
| 4 | UL1015 | 20 | white | 500 | | | | | | | | | | | | | | | | | | | | | | | | | | | | | | | | | |
| <p>●Model number</p> <h3>H-OU-20</h3> <p>Housing : 09-50-1043 (Molex) Pin : 08-70-1030 or 08-70-1031 (Molex)</p> | <p>●Type</p> | <p>●Wire</p> <table border="1"> <thead> <tr> <th>Pin #</th> <th>Wire</th> <th>AWG</th> <th>Color</th> <th>Length ℓ (mm)</th> </tr> </thead> <tbody> <tr> <td>1</td> <td>UL1015</td> <td>18</td> <td>red</td> <td>500</td> </tr> <tr> <td>2</td> <td>UL1015</td> <td>18</td> <td>red</td> <td>500</td> </tr> <tr> <td>3</td> <td>UL1015</td> <td>18</td> <td>black</td> <td>500</td> </tr> <tr> <td>4</td> <td>UL1015</td> <td>18</td> <td>black</td> <td>500</td> </tr> </tbody> </table> | Pin # | Wire | AWG | Color | Length ℓ (mm) | 1 | UL1015 | 18 | red | 500 | 2 | UL1015 | 18 | red | 500 | 3 | UL1015 | 18 | black | 500 | 4 | UL1015 | 18 | black | 500 | | | | | | | | | | |
| Pin # | Wire | AWG | Color | Length ℓ (mm) | | | | | | | | | | | | | | | | | | | | | | | | | | | | | | | | | |
| 1 | UL1015 | 18 | red | 500 | | | | | | | | | | | | | | | | | | | | | | | | | | | | | | | | | |
| 2 | UL1015 | 18 | red | 500 | | | | | | | | | | | | | | | | | | | | | | | | | | | | | | | | | |
| 3 | UL1015 | 18 | black | 500 | | | | | | | | | | | | | | | | | | | | | | | | | | | | | | | | | |
| 4 | UL1015 | 18 | black | 500 | | | | | | | | | | | | | | | | | | | | | | | | | | | | | | | | | |
| <p>●Model number</p> <h3>H-OU-21</h3> <p>Housing : 09-50-1063 (Molex) Pin : 08-70-1030 or 08-70-1031 (Molex)</p> | <p>●Type</p> | <p>●Wire</p> <table border="1"> <thead> <tr> <th>Pin #</th> <th>Wire</th> <th>AWG</th> <th>Color</th> <th>Length ℓ (mm)</th> </tr> </thead> <tbody> <tr> <td>1</td> <td>UL1015</td> <td>18</td> <td>red</td> <td>500</td> </tr> <tr> <td>2</td> <td>UL1015</td> <td>18</td> <td>red</td> <td>500</td> </tr> <tr> <td>3</td> <td>UL1015</td> <td>18</td> <td>red</td> <td>500</td> </tr> <tr> <td>4</td> <td>UL1015</td> <td>18</td> <td>black</td> <td>500</td> </tr> <tr> <td>5</td> <td>UL1015</td> <td>18</td> <td>black</td> <td>500</td> </tr> <tr> <td>6</td> <td>UL1015</td> <td>18</td> <td>black</td> <td>500</td> </tr> </tbody> </table> | Pin # | Wire | AWG | Color | Length ℓ (mm) | 1 | UL1015 | 18 | red | 500 | 2 | UL1015 | 18 | red | 500 | 3 | UL1015 | 18 | red | 500 | 4 | UL1015 | 18 | black | 500 | 5 | UL1015 | 18 | black | 500 | 6 | UL1015 | 18 | black | 500 |
| Pin # | Wire | AWG | Color | Length ℓ (mm) | | | | | | | | | | | | | | | | | | | | | | | | | | | | | | | | | |
| 1 | UL1015 | 18 | red | 500 | | | | | | | | | | | | | | | | | | | | | | | | | | | | | | | | | |
| 2 | UL1015 | 18 | red | 500 | | | | | | | | | | | | | | | | | | | | | | | | | | | | | | | | | |
| 3 | UL1015 | 18 | red | 500 | | | | | | | | | | | | | | | | | | | | | | | | | | | | | | | | | |
| 4 | UL1015 | 18 | black | 500 | | | | | | | | | | | | | | | | | | | | | | | | | | | | | | | | | |
| 5 | UL1015 | 18 | black | 500 | | | | | | | | | | | | | | | | | | | | | | | | | | | | | | | | | |
| 6 | UL1015 | 18 | black | 500 | | | | | | | | | | | | | | | | | | | | | | | | | | | | | | | | | |
| <p>●Model number</p> <h3>H-OU-27</h3> <p>Housing : 09-50-1043 (Molex) Pin : 08-70-1030 or 08-70-1031 (Molex)</p> | <p>●Type</p> | <p>●Wire</p> <table border="1"> <thead> <tr> <th>Pin #</th> <th>Wire</th> <th>AWG</th> <th>Color</th> <th>Length ℓ (mm)</th> </tr> </thead> <tbody> <tr> <td>1</td> <td>UL1015</td> <td>18</td> <td>red</td> <td>500</td> </tr> <tr> <td>2</td> <td>UL1015</td> <td>18</td> <td>black</td> <td>500</td> </tr> <tr> <td>3</td> <td>UL1015</td> <td>18</td> <td>black</td> <td>500</td> </tr> <tr> <td>4</td> <td>UL1015</td> <td>18</td> <td>purple</td> <td>500</td> </tr> </tbody> </table> | Pin # | Wire | AWG | Color | Length ℓ (mm) | 1 | UL1015 | 18 | red | 500 | 2 | UL1015 | 18 | black | 500 | 3 | UL1015 | 18 | black | 500 | 4 | UL1015 | 18 | purple | 500 | | | | | | | | | | |
| Pin # | Wire | AWG | Color | Length ℓ (mm) | | | | | | | | | | | | | | | | | | | | | | | | | | | | | | | | | |
| 1 | UL1015 | 18 | red | 500 | | | | | | | | | | | | | | | | | | | | | | | | | | | | | | | | | |
| 2 | UL1015 | 18 | black | 500 | | | | | | | | | | | | | | | | | | | | | | | | | | | | | | | | | |
| 3 | UL1015 | 18 | black | 500 | | | | | | | | | | | | | | | | | | | | | | | | | | | | | | | | | |
| 4 | UL1015 | 18 | purple | 500 | | | | | | | | | | | | | | | | | | | | | | | | | | | | | | | | | |

| <p>●Model number H-RC-1</p> <p>Housing : XHP-2 (J.S.T.) Pin : SXH-001T-P0.6 (J.S.T.)</p> | <p>●Type</p>  | <p>●Wire</p> <table border="1"> <thead> <tr> <th>Pin #</th> <th>Wire</th> <th>AWG</th> <th>Color</th> <th>Length l (mm)</th> </tr> </thead> <tbody> <tr> <td>1</td> <td>UL1007</td> <td>22</td> <td>orange</td> <td>500</td> </tr> <tr> <td>2</td> <td>UL1007</td> <td>22</td> <td>blue</td> <td>500</td> </tr> </tbody> </table> | Pin # | Wire | AWG | Color | Length l (mm) | 1 | UL1007 | 22 | orange | 500 | 2 | UL1007 | 22 | blue | 500 | | | | | | | | | | | | | | | | | | | | | | | | | | | | | | | | | | | | | | | | |
|---|--|---|--------|-----------------|-----|-------|-----------------|---|--------|----|--------|-----|---|--------|----|--------|-----|---|--------|----|-----|-----|---|--------|----|-------|-----|---|--------|----|--------|-----|---|--------|----|-------|-----|---|--------|----|------|-----|---|--------|----|-------|-----|---|--------|----|--------|-----|----|--------|----|--------|-----|
| Pin # | Wire | AWG | Color | Length l (mm) | | | | | | | | | | | | | | | | | | | | | | | | | | | | | | | | | | | | | | | | | | | | | | | | | | | | | |
| 1 | UL1007 | 22 | orange | 500 | | | | | | | | | | | | | | | | | | | | | | | | | | | | | | | | | | | | | | | | | | | | | | | | | | | | | |
| 2 | UL1007 | 22 | blue | 500 | | | | | | | | | | | | | | | | | | | | | | | | | | | | | | | | | | | | | | | | | | | | | | | | | | | | | |
| <p>●Model number H-SN-1</p> <p>Housing : XHP-4 (J.S.T.) Pin : SXH-001T-P0.6 (J.S.T.)</p> | <p>●Type</p>  | <p>●Wire</p> <table border="1"> <thead> <tr> <th>Pin #</th> <th>Wire</th> <th>AWG</th> <th>Color</th> <th>Length l (mm)</th> </tr> </thead> <tbody> <tr> <td>1</td> <td></td> <td></td> <td></td> <td></td> </tr> <tr> <td>2</td> <td>UL1061</td> <td>28</td> <td>black</td> <td>500</td> </tr> <tr> <td>3</td> <td>UL1061</td> <td>28</td> <td>red</td> <td>500</td> </tr> <tr> <td>4</td> <td></td> <td></td> <td></td> <td></td> </tr> </tbody> </table> | Pin # | Wire | AWG | Color | Length l (mm) | 1 | | | | | 2 | UL1061 | 28 | black | 500 | 3 | UL1061 | 28 | red | 500 | 4 | | | | | | | | | | | | | | | | | | | | | | | | | | | | | | | | | | |
| Pin # | Wire | AWG | Color | Length l (mm) | | | | | | | | | | | | | | | | | | | | | | | | | | | | | | | | | | | | | | | | | | | | | | | | | | | | | |
| 1 | | | | | | | | | | | | | | | | | | | | | | | | | | | | | | | | | | | | | | | | | | | | | | | | | | | | | | | | | |
| 2 | UL1061 | 28 | black | 500 | | | | | | | | | | | | | | | | | | | | | | | | | | | | | | | | | | | | | | | | | | | | | | | | | | | | | |
| 3 | UL1061 | 28 | red | 500 | | | | | | | | | | | | | | | | | | | | | | | | | | | | | | | | | | | | | | | | | | | | | | | | | | | | | |
| 4 | | | | | | | | | | | | | | | | | | | | | | | | | | | | | | | | | | | | | | | | | | | | | | | | | | | | | | | | | |
| <p>●Model number H-SN-18</p> <p>Housing : PHR-2 (J.S.T.) Pin : SPH-002T-P0.5S (J.S.T.)</p> | <p>●Type</p>  | <p>●Wire</p> <table border="1"> <thead> <tr> <th>Pin #</th> <th>Wire</th> <th>AWG</th> <th>Color</th> <th>Length l (mm)</th> </tr> </thead> <tbody> <tr> <td>1</td> <td>UL1007</td> <td>26</td> <td>yellow</td> <td>500</td> </tr> <tr> <td>2</td> <td>UL1007</td> <td>26</td> <td>orange</td> <td>500</td> </tr> </tbody> </table> | Pin # | Wire | AWG | Color | Length l (mm) | 1 | UL1007 | 26 | yellow | 500 | 2 | UL1007 | 26 | orange | 500 | | | | | | | | | | | | | | | | | | | | | | | | | | | | | | | | | | | | | | | | |
| Pin # | Wire | AWG | Color | Length l (mm) | | | | | | | | | | | | | | | | | | | | | | | | | | | | | | | | | | | | | | | | | | | | | | | | | | | | | |
| 1 | UL1007 | 26 | yellow | 500 | | | | | | | | | | | | | | | | | | | | | | | | | | | | | | | | | | | | | | | | | | | | | | | | | | | | | |
| 2 | UL1007 | 26 | orange | 500 | | | | | | | | | | | | | | | | | | | | | | | | | | | | | | | | | | | | | | | | | | | | | | | | | | | | | |
| <p>●Model number H-PA-3</p> <p>Housing : PHDR-10VS(J.S.T) Pin : SPHD-002T-P0.5(J.S.T)</p> | <p>●Type</p>  | <p>●Wire</p> <table border="1"> <thead> <tr> <th>Pin #</th> <th>Wire</th> <th>AWG</th> <th>Color</th> <th>Length l (mm)</th> </tr> </thead> <tbody> <tr> <td>1</td> <td>-</td> <td>-</td> <td>-</td> <td>-</td> </tr> <tr> <td>2</td> <td>UL1061</td> <td>28</td> <td>red</td> <td>270</td> </tr> <tr> <td>3</td> <td>-</td> <td>-</td> <td>-</td> <td>-</td> </tr> <tr> <td>4</td> <td>UL1061</td> <td>28</td> <td>black</td> <td>270</td> </tr> <tr> <td>5</td> <td>UL1061</td> <td>28</td> <td>yellow</td> <td>270</td> </tr> <tr> <td>6</td> <td>UL1061</td> <td>28</td> <td>green</td> <td>270</td> </tr> <tr> <td>7</td> <td>UL1061</td> <td>28</td> <td>blue</td> <td>270</td> </tr> <tr> <td>8</td> <td>-</td> <td>-</td> <td>-</td> <td>-</td> </tr> <tr> <td>9</td> <td>UL1061</td> <td>28</td> <td>orange</td> <td>270</td> </tr> <tr> <td>10</td> <td>UL1061</td> <td>28</td> <td>purple</td> <td>270</td> </tr> </tbody> </table> | Pin # | Wire | AWG | Color | Length l (mm) | 1 | - | - | - | - | 2 | UL1061 | 28 | red | 270 | 3 | - | - | - | - | 4 | UL1061 | 28 | black | 270 | 5 | UL1061 | 28 | yellow | 270 | 6 | UL1061 | 28 | green | 270 | 7 | UL1061 | 28 | blue | 270 | 8 | - | - | - | - | 9 | UL1061 | 28 | orange | 270 | 10 | UL1061 | 28 | purple | 270 |
| Pin # | Wire | AWG | Color | Length l (mm) | | | | | | | | | | | | | | | | | | | | | | | | | | | | | | | | | | | | | | | | | | | | | | | | | | | | | |
| 1 | - | - | - | - | | | | | | | | | | | | | | | | | | | | | | | | | | | | | | | | | | | | | | | | | | | | | | | | | | | | | |
| 2 | UL1061 | 28 | red | 270 | | | | | | | | | | | | | | | | | | | | | | | | | | | | | | | | | | | | | | | | | | | | | | | | | | | | | |
| 3 | - | - | - | - | | | | | | | | | | | | | | | | | | | | | | | | | | | | | | | | | | | | | | | | | | | | | | | | | | | | | |
| 4 | UL1061 | 28 | black | 270 | | | | | | | | | | | | | | | | | | | | | | | | | | | | | | | | | | | | | | | | | | | | | | | | | | | | | |
| 5 | UL1061 | 28 | yellow | 270 | | | | | | | | | | | | | | | | | | | | | | | | | | | | | | | | | | | | | | | | | | | | | | | | | | | | | |
| 6 | UL1061 | 28 | green | 270 | | | | | | | | | | | | | | | | | | | | | | | | | | | | | | | | | | | | | | | | | | | | | | | | | | | | | |
| 7 | UL1061 | 28 | blue | 270 | | | | | | | | | | | | | | | | | | | | | | | | | | | | | | | | | | | | | | | | | | | | | | | | | | | | | |
| 8 | - | - | - | - | | | | | | | | | | | | | | | | | | | | | | | | | | | | | | | | | | | | | | | | | | | | | | | | | | | | | |
| 9 | UL1061 | 28 | orange | 270 | | | | | | | | | | | | | | | | | | | | | | | | | | | | | | | | | | | | | | | | | | | | | | | | | | | | | |
| 10 | UL1061 | 28 | purple | 270 | | | | | | | | | | | | | | | | | | | | | | | | | | | | | | | | | | | | | | | | | | | | | | | | | | | | | |
| <p>●Model number H-SN-20</p> <p>Housing : PHDR-10VS(J.S.T) Pin : SPHD-002T-P0.5(J.S.T)</p> | <p>●Type</p>  | <p>●Wire</p> <table border="1"> <thead> <tr> <th>Pin #</th> <th>Wire</th> <th>AWG</th> <th>Color</th> <th>Length l (mm)</th> </tr> </thead> <tbody> <tr> <td>1</td> <td>-</td> <td>-</td> <td>-</td> <td>-</td> </tr> <tr> <td>2</td> <td>UL1061</td> <td>28</td> <td>red</td> <td>500</td> </tr> <tr> <td>3</td> <td>-</td> <td>-</td> <td>-</td> <td>-</td> </tr> <tr> <td>4</td> <td>UL1061</td> <td>28</td> <td>black</td> <td>500</td> </tr> <tr> <td>5</td> <td>UL1061</td> <td>28</td> <td>yellow</td> <td>500</td> </tr> <tr> <td>6</td> <td>UL1061</td> <td>28</td> <td>green</td> <td>500</td> </tr> <tr> <td>7</td> <td>UL1061</td> <td>28</td> <td>blue</td> <td>500</td> </tr> <tr> <td>8</td> <td>UL1061</td> <td>28</td> <td>black</td> <td>500</td> </tr> <tr> <td>9</td> <td>UL1061</td> <td>28</td> <td>orange</td> <td>500</td> </tr> <tr> <td>10</td> <td>UL1061</td> <td>28</td> <td>purple</td> <td>500</td> </tr> </tbody> </table> | Pin # | Wire | AWG | Color | Length l (mm) | 1 | - | - | - | - | 2 | UL1061 | 28 | red | 500 | 3 | - | - | - | - | 4 | UL1061 | 28 | black | 500 | 5 | UL1061 | 28 | yellow | 500 | 6 | UL1061 | 28 | green | 500 | 7 | UL1061 | 28 | blue | 500 | 8 | UL1061 | 28 | black | 500 | 9 | UL1061 | 28 | orange | 500 | 10 | UL1061 | 28 | purple | 500 |
| Pin # | Wire | AWG | Color | Length l (mm) | | | | | | | | | | | | | | | | | | | | | | | | | | | | | | | | | | | | | | | | | | | | | | | | | | | | | |
| 1 | - | - | - | - | | | | | | | | | | | | | | | | | | | | | | | | | | | | | | | | | | | | | | | | | | | | | | | | | | | | | |
| 2 | UL1061 | 28 | red | 500 | | | | | | | | | | | | | | | | | | | | | | | | | | | | | | | | | | | | | | | | | | | | | | | | | | | | | |
| 3 | - | - | - | - | | | | | | | | | | | | | | | | | | | | | | | | | | | | | | | | | | | | | | | | | | | | | | | | | | | | | |
| 4 | UL1061 | 28 | black | 500 | | | | | | | | | | | | | | | | | | | | | | | | | | | | | | | | | | | | | | | | | | | | | | | | | | | | | |
| 5 | UL1061 | 28 | yellow | 500 | | | | | | | | | | | | | | | | | | | | | | | | | | | | | | | | | | | | | | | | | | | | | | | | | | | | | |
| 6 | UL1061 | 28 | green | 500 | | | | | | | | | | | | | | | | | | | | | | | | | | | | | | | | | | | | | | | | | | | | | | | | | | | | | |
| 7 | UL1061 | 28 | blue | 500 | | | | | | | | | | | | | | | | | | | | | | | | | | | | | | | | | | | | | | | | | | | | | | | | | | | | | |
| 8 | UL1061 | 28 | black | 500 | | | | | | | | | | | | | | | | | | | | | | | | | | | | | | | | | | | | | | | | | | | | | | | | | | | | | |
| 9 | UL1061 | 28 | orange | 500 | | | | | | | | | | | | | | | | | | | | | | | | | | | | | | | | | | | | | | | | | | | | | | | | | | | | | |
| 10 | UL1061 | 28 | purple | 500 | | | | | | | | | | | | | | | | | | | | | | | | | | | | | | | | | | | | | | | | | | | | | | | | | | | | | |